

METAL NANO CIRCULAR THREADED DISCRETE LEADWIRE/CABLE (TYPE WD/WC)

Series	# of Contacts	Termination Type	Shell Material and Finish	Shell Type	Options
MNC	6	WD: Discrete Lead Wire 	Standard N: Nickel Plated Brass 	IS: Inline Shell 	C Color Coded 
	11				
Male (P - Pin)	16	WC: Cable 	Non-Standard Options BN: Black Nickel Plated Brass 	SR: Inline Shell w/ Strain Relief 	OR O-Ring 
	28				
Female (S - Socket)	39	Wire/Cable Length: 18.0=18.0" Standard Option "XX.X" = Custom Length i.e. 23.4" 32 AWG Max	P: Passivated Stainless Steel 	ST: Inline Shell w/ Shrink Tube 	IP68 IP68
			OX: Black Oxide Finished Steel 		
					OM Overmold (Contact Omnetics for Overmold Information & Availability) 



EXAMPLE:
MNCS-11-WD-10.0-C-IS-N-SR-OR

NANO 360[®] Metal

Nano Circular Threaded

Optional IP68 rating



Electrical-Mechanical Specifications

- Performance: _____ Product family tested to and passed or exceeded the performance specifications of Table VIII of MIL-DTL-32139
- Contact Resistance: _____ 71 Milliohm Max (71mV Drop Max) @ 1.0 Amps per MIL-DTL-32139
- Current Rating: _____ 1 Amp per MIL-DTL-32139
- Operating Temperature: _____ -55°C to 125°C (200°C with High Temp Epoxy)
IP68 overmold -55°C to 85°C
- Durability: _____ >2000 mating cycles min
- Insulation Resistance: _____ 5000 megohms @ 100 VDC
- Shock: _____ 100 g's with no discontinuities > 10 nanosecond
- Vibration: _____ 20 g's with no discontinuities > 10 nanosecond
- Thermal Vacuum Outgassing (Space Class): _____ 1.0% max TML, 0.03% max CVCM
- Mating/Unmating Force: _____ 2.5 oz (71 g) typical per contact

Material Specifications

- Contact: _____ Copper Alloy Per MIL-DTL-32139
- Contact Finish: _____ Gold per ASTM B488, Type II, Class 1.27, Code C Over Nickel Underplate
- Insulator: _____ Thermoplastic per MIL-M-24519
- Overmold: _____ Black Thermoplastic Polyurethane
- O-Ring: _____ BUNA-N
- Cable (Shielded): _____ 32 AWG, (7-40) tinned copper, PFA color coded, Black polyurethane jacket
- Wire: _____ 32 AWG (7-40) PTFE, color coded

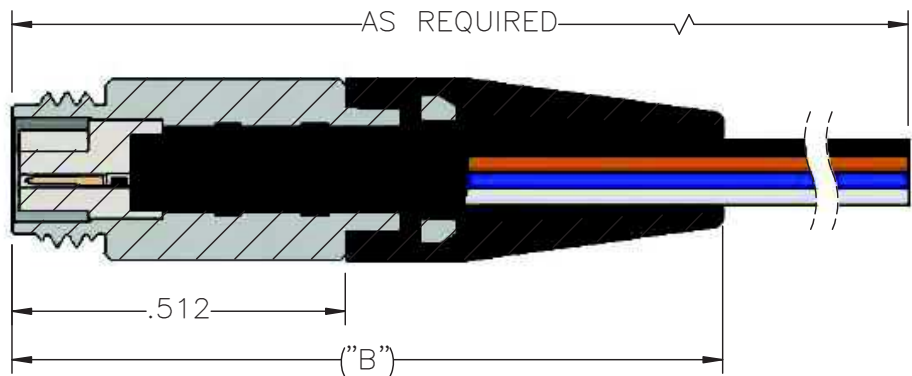
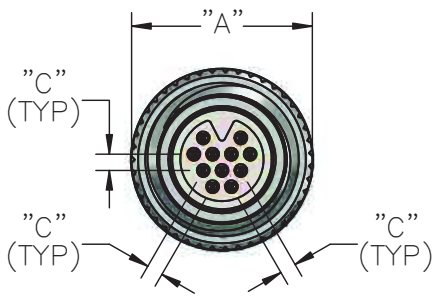
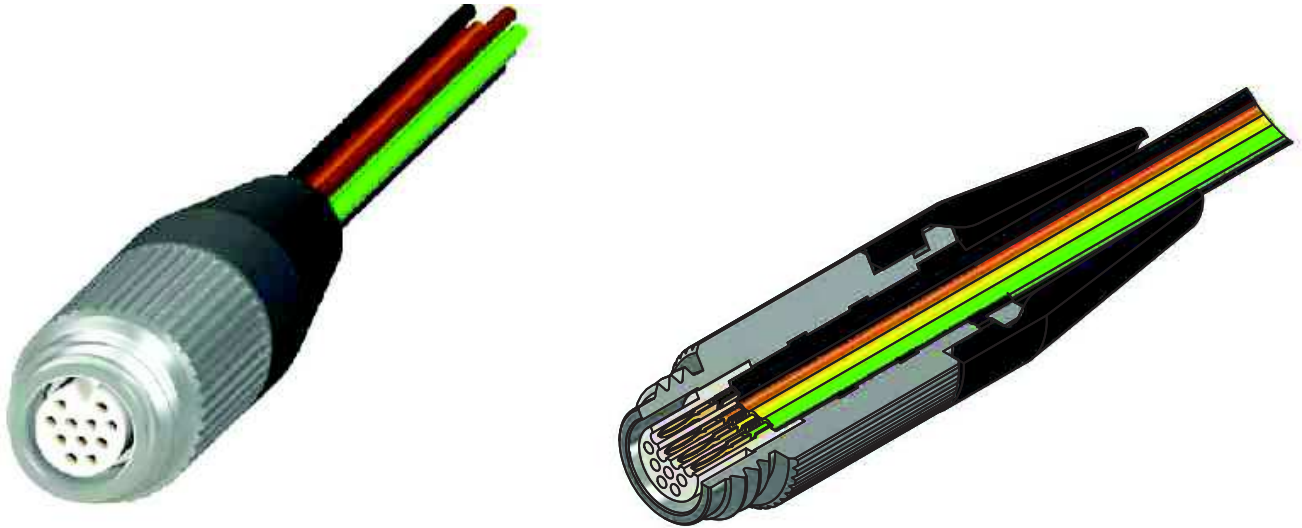
Shell Options

- Brass Alloy 360 1/2 Hard: _____ Electroless Nickel per SAE-AMS-2404
Black Nickel per MIL-P-18317
- Stainless Steel, 300 Series: _____ Passivated per SAE-AMS-2700
Black Oxide Finish per MIL-DTL-13924, Class 4*, Passivated per SAE-AMS-2700

* less resistance to salt spray test.

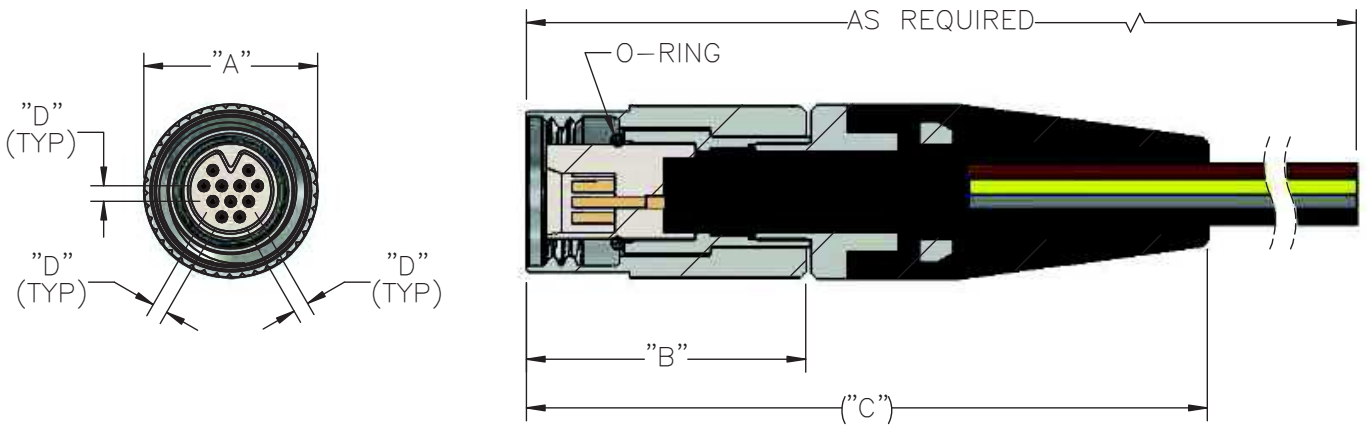
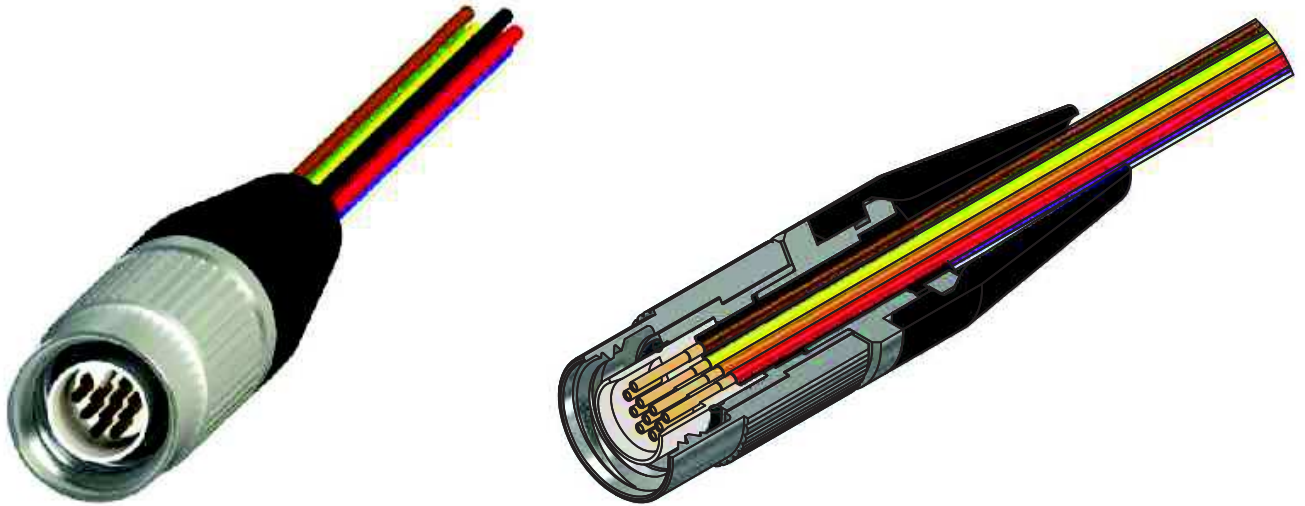
Metal - Pin - Threaded - Wired - Inline - Strain Relief

MNCP-WD-IS-SR



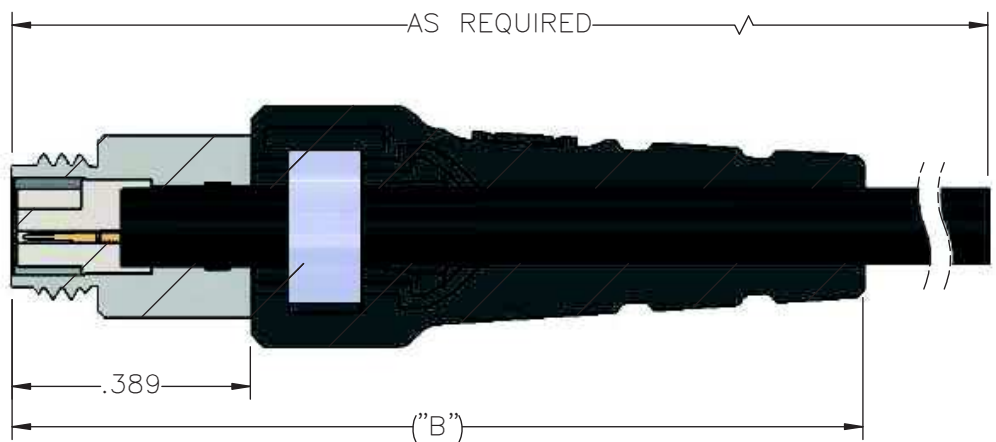
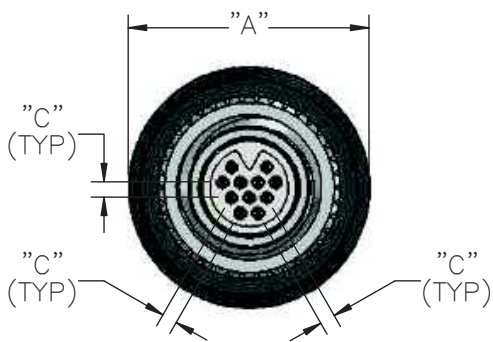
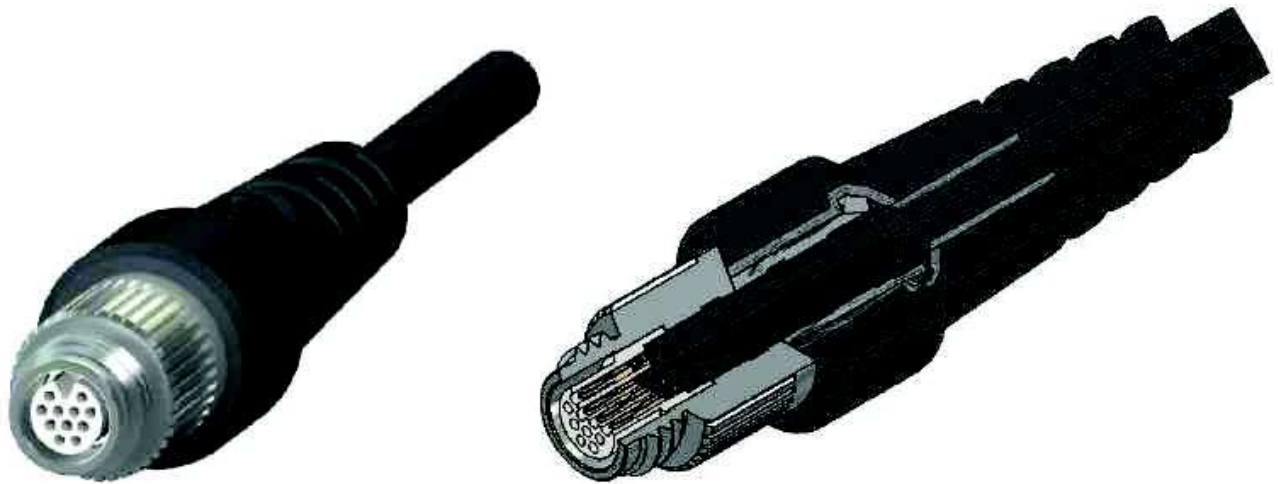
Part #	Contacts	English (IN)			Metric (MM)		
		A	B	C	A	B	C
A79150-001	6	0.25	1.1	0.025	6.35	27.94	0.64
A79152-001	11	0.28			7.11		
A779154-001	16	0.32	1.3		8.13	33.02	
A79156-001	28	0.37	1.6		9.40	40.64	
A79465-001	39	0.47	1.7	0.030	11.81	43.18	0.76

Metal - Socket - Threaded - Wired - Inline - Strain Relief MNCS-WD-IS-SR



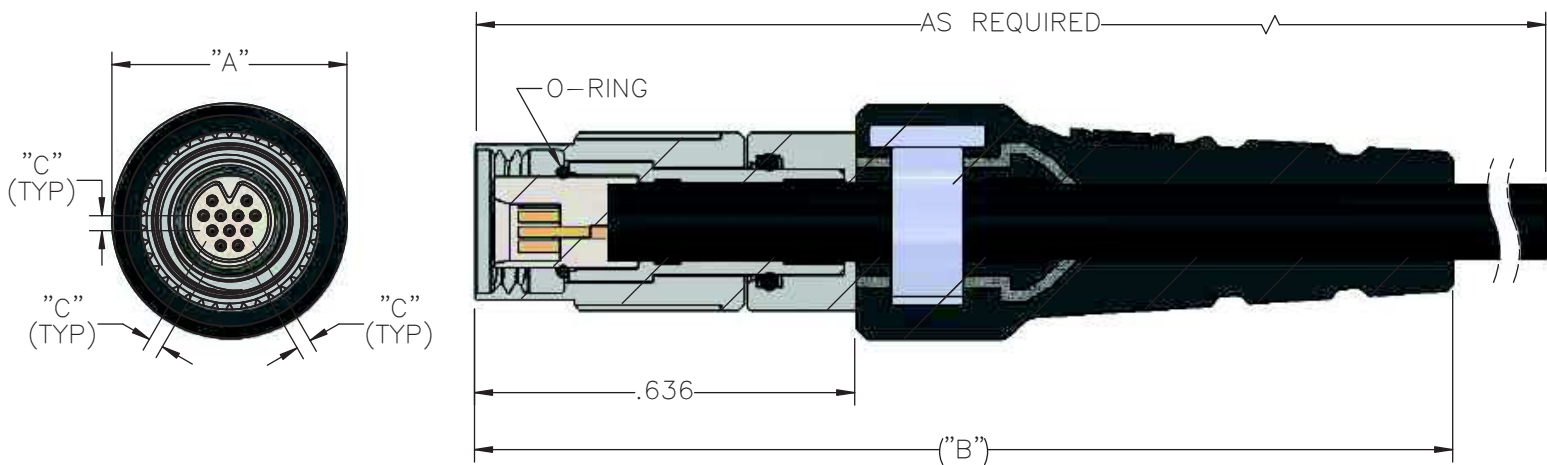
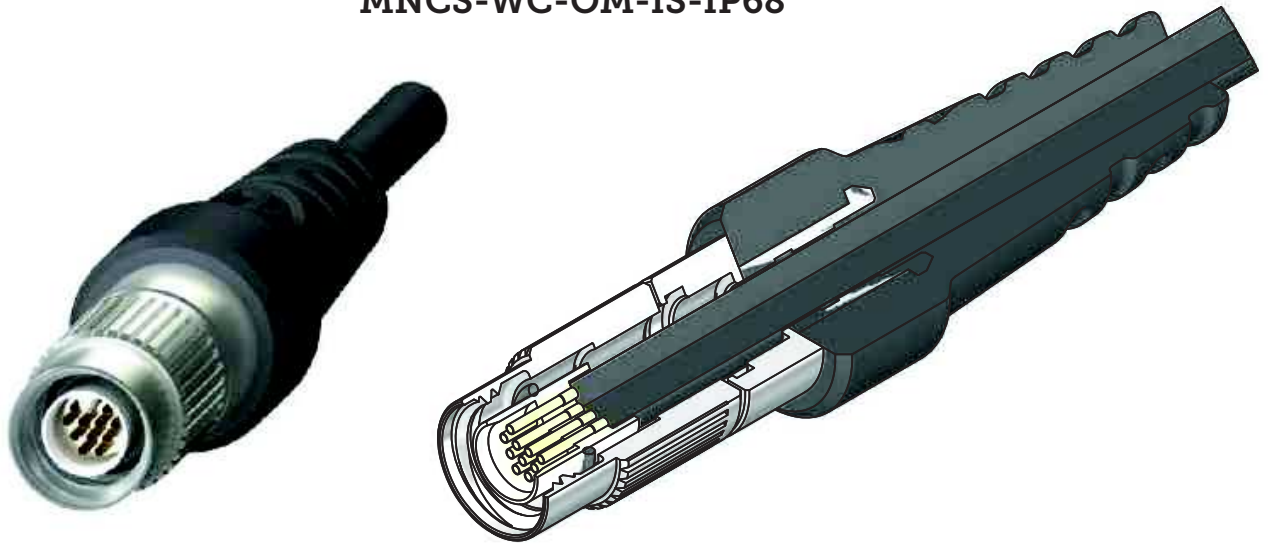
Part #	Contacts	English (IN)				Metric (MM)			
		A	B	C	D	A	B	C	D
A79151-001	6	0.25	0.45	1.1	0.025	6.35	7.11	27.94	0.64
A79153-001	11	0.28		1.3		7.11	7.11		
A79155-001	16	0.33		1.6		8.38	7.11		
A79157-001	28	0.37		0.030		9.40	9.45	40.64	
A79466-001	39	0.37	0.51			9.40	11.4	40.64	0.76

**Metal - Pin - Threaded -
Cabled - Overmold - Inline - IP68**
MNCP-WC-OM-IS-IP68



Part #	Contacts	English (IN)			Metric (MM)		
		A	B	C	A	B	C
A79333-001	6	0.36	1.39	0.025	9.14	35.31	0.64
A79329-001	11	0.39			9.91		
A79325-001	16	0.42	10.67		37.34		
A79321-001	28	0.46	11.68		39.88		
A79482-001	39	0.55	1.57	0.030	13.97	39.88	0.76

**Metal - Socket - Threaded -
Cabled - Overmold - Inline - IP68**
MNCS-WC-OM-IS-IP68



Part #	Contacts	English (IN)			Metric (MM)		
		A	B	C	A	B	C
A79332-001	6	0.36	1.640	0.025	9.14	41.66	0.64
A79328-001	11	0.39			9.91		
A79324-001	16	0.42	1.710		10.67	43.43	
A79320-001	28	0.46	1.820	0.030	11.68	46.23	0.76
A79483-001	39	0.55			13.97		