

METAL MICRO CIRCULAR THREADED DISCRETE LEADWIRE/CABLE (TYPE WD/WC)

Series	# of Contacts	Termination Type	Shell Material and Finish	Shell Type	Options, cont.
MMC	5	WD: Discrete Lead Wire 	Standard N: Nickel Plated Brass 	IS: Inline Shell (shell only) 	C Color Coded 
	12				
Male (P - Pin)	16	WC: Cable 	Non-Standard Options BN: Black Nickel Plated Brass 	Options SR: Inline Shell w/ Strain Relief 	OR O-Ring 
	27				
	39				
Female (S - Socket)		Wire/Cable Length: 18.0=18.0" Standard Option "XX.X" = Custom Length i.e. 23.4" 26 AWG Max	P: Passivated Stainless Steel 	ST: Inline Shell w/ Shrink Tube 	IP68 
			OX: Black Oxide Finished Steel 		OM Overmold (Contact Omnetics for Overmold Information & Availability) 



EXAMPLE:
MMCS-12-WD-10.0-C-IS-N-SR-OR



MICRO 360[®] Metal

Micro Circular Threaded

Optional IP68 Rating



Electrical-Mechanical Specifications

- Performance: _____ Product family tested to and passed or exceeded the performance specifications of Table VIII of MIL-DTL-83513
- Contact Resistance: _____ 26 Milliohm Max (65mV Drop Max) @ 2.5 Amps per MIL-DTL-83513
- Current Rating: _____ 3 Amps per MIL-DTL-83513
- Operating Temperature: _____ -55°C to 125°C (200°C with High Temp Epoxy)
IP68 overmold -55°C to 85°C
- Durability: _____ >2000 mating cycles min
- Insulation Resistance: _____ 5000 megohms @ 500 VDC
- Shock: _____ 50 g's with no discontinuities > 1 microsecond
- Vibration: _____ 20 g's with no discontinuities > 1 microsecond
- Mating/Unmating Force: _____ 3 oz (85 g) typical per contact
- Thermal Vacuum Outgassing (Space Class): _____ NASA SP-R-0022

Material Specifications

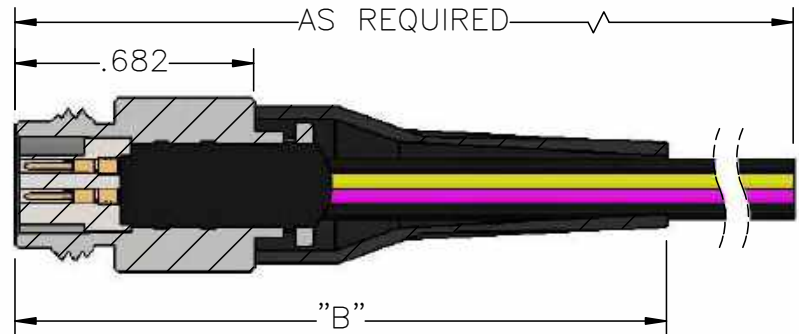
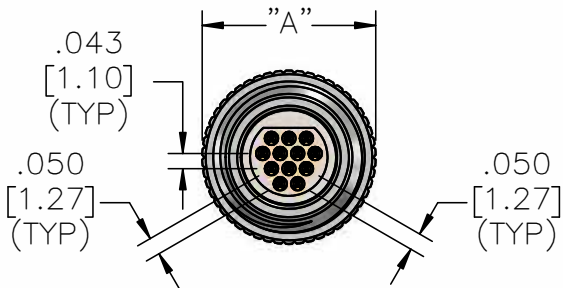
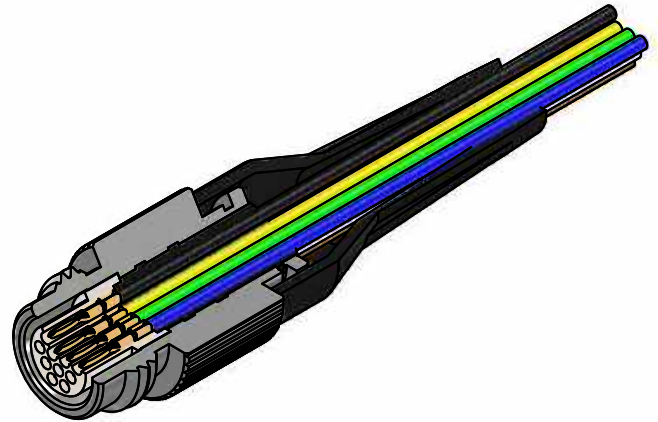
- Contact: _____ Copper Alloy Per MIL-DTL-83513
- Contact Finish: _____ Gold per ASTM B488, Type II, Class 1.27, Code C
Over Nickel Underplate
- Insulator: _____ Thermoplastic per MIL-M-24519
- Overmold: _____ Black Thermoplastic Polyurethane
- O-Ring: _____ BUNA-N
- Cable (Shielded): _____ 26 AWG, (7-34) Tinned Copper, PFA color coded, Black
Polyurethane Jacket
- Wire: _____ 26 AWG (7-34) PTFE, color coded

Shell Options

- Brass Alloy 360 1/2 Hard: _____ Electroless Nickel per SAE-AMS-2404
Black Nickel per MIL-P-18317
- Stainless Steel, 300 Series: _____ Passivated per SAE-AMS-2700
Black Oxide Finish per MIL-DTL-13924, Class 4*, Passivated per SAE-AMS-2700

* less resistance to salt spray test.

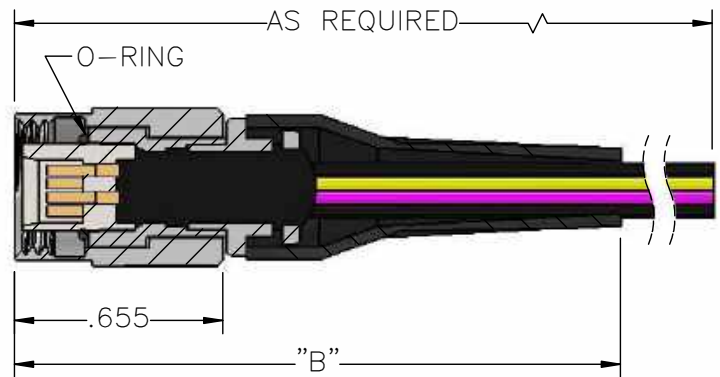
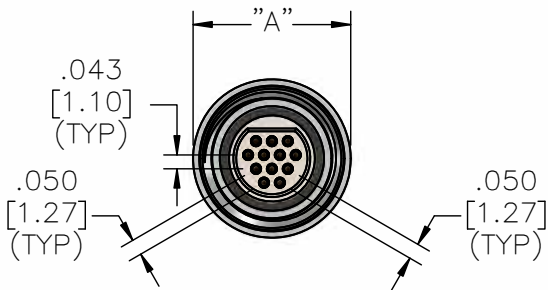
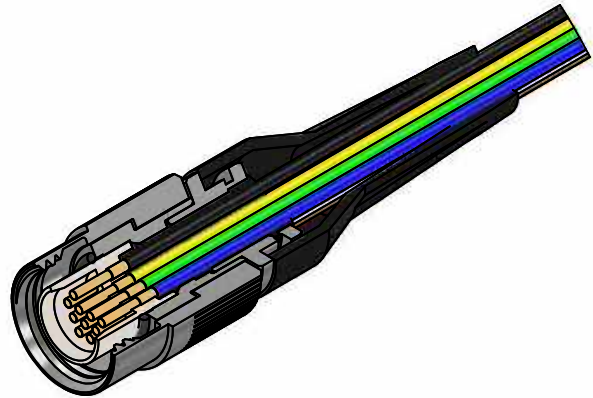
**Metal - Pin - Threaded -
Wired - Inline - Strain Relief**
MMCP-WD-IS-SR



Part #	Contacts	English (IN)		Metric (MM)	
		A	B	A	B
A22368-001	5	0.420	1.900	10.67	48.26
A22373-001	12	0.500		12.70	
A22378-001	16	0.560		14.22	
A22383-001	27	0.610	2.100	15.49	53.34
A22486-001	39	0.650	2.300	16.51	58.42

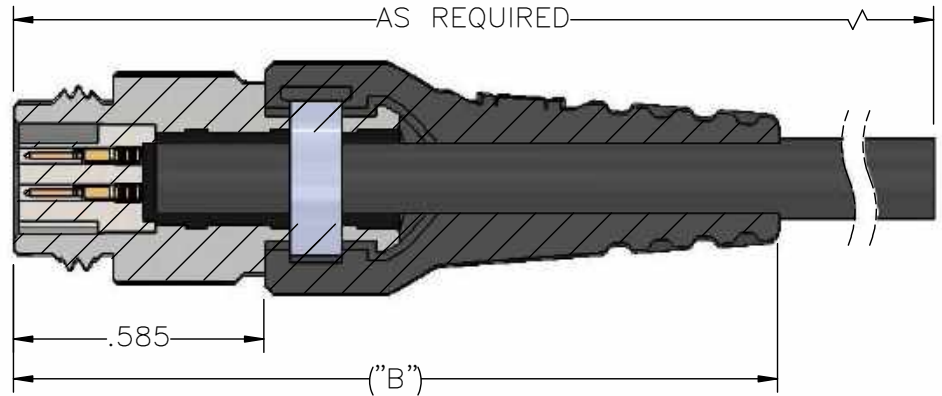
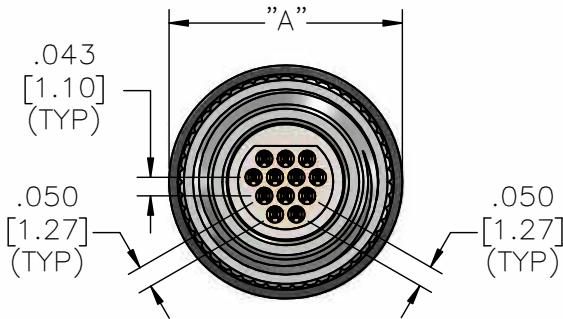
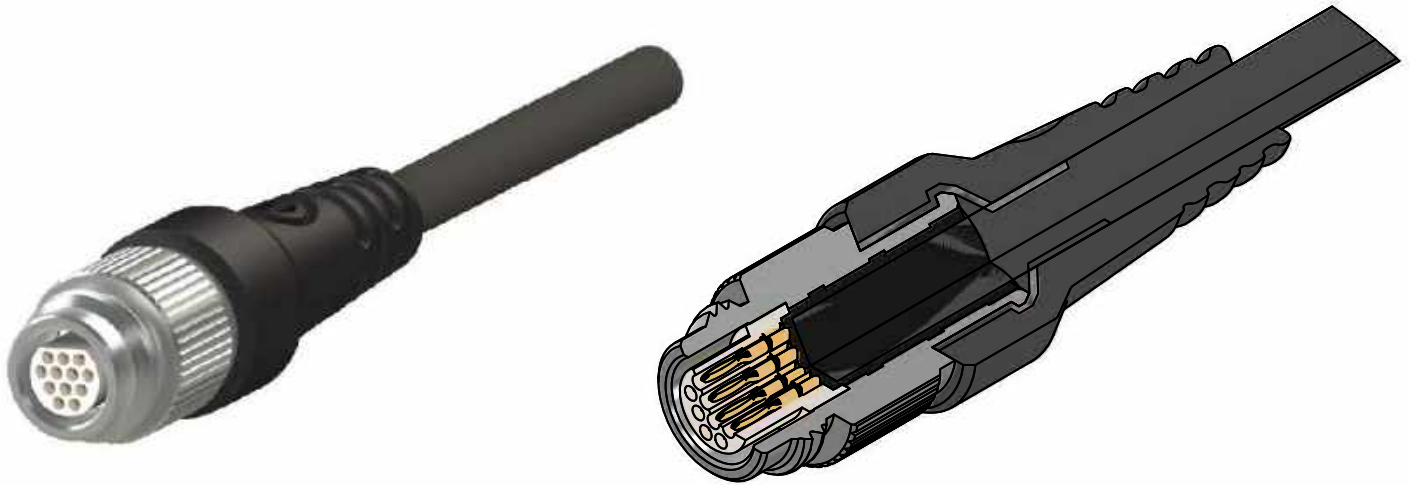
Metal - Socket - Threaded - Wired - Inline - Strain Relief

MMCS-WD-IS-SR



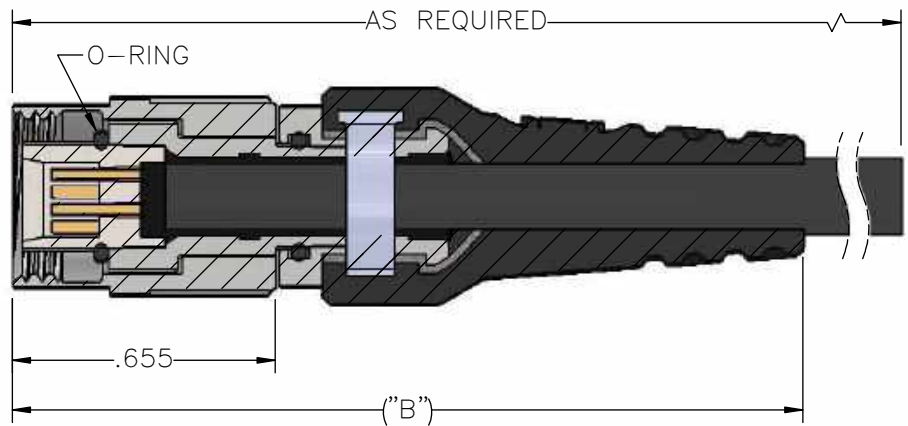
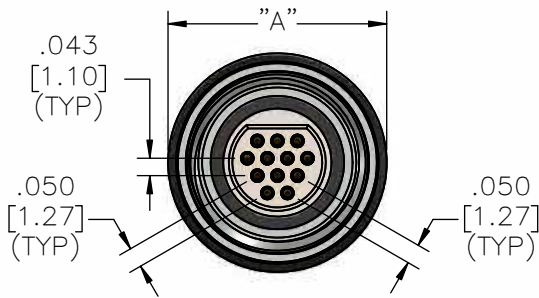
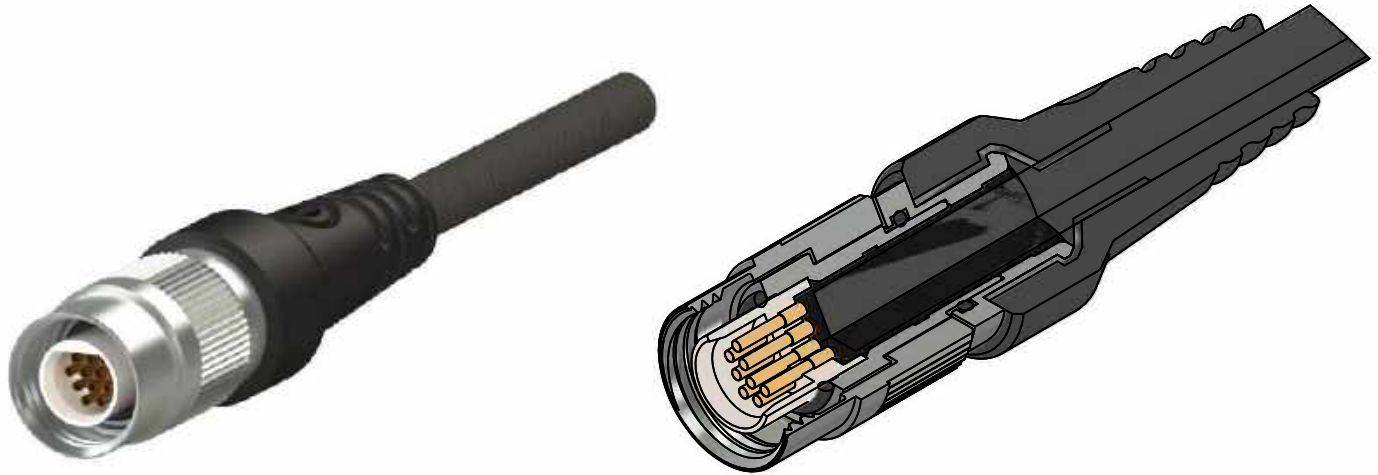
Part #	Contacts	English (IN)		Metric (MM)	
		A	B	A	B
A22372-001	5	0.420	1.900	10.67	48.26
A22377-001	12	0.500		12.70	
A22382-001	16	0.560		14.22	
A22387-001	27	0.610	2.100	15.49	53.34
A22488-001	39	0.680	2.400	17.27	60.96

**Metal - Pin - Threaded -
Cabled - Overmold - Inline
MMCP-WC-OM-IS**
















Part #	Contacts	English (IN)		Metric (MM)	
		A	B	A	B
A22336-001	5	0.510	1.740	12.95	44.20
A22334-001	12	0.550	1.790	13.97	45.47
A22332-001	16	0.600	1.890	15.24	48.01
A22330-001	27	0.670	2.080	17.02	52.83
A22487-001	39	0.720		18.29	

**Metal - Socket - Threaded -
Cabled - Overmold - Inline**
MMCS-WC-OM-IS



Part #	Contacts	English (IN)		Metric (MM)	
		A	B	A	B
A22335-001	5	0.510	1.920	12.95	48.77
A22333-001	12	0.550	1.970	13.97	50.04
A22331-001	16	0.600	2.070	15.24	52.58
A22329-001	27	0.670	2.160	17.02	54.86
A22489-001	39	0.720		18.29	

METAL MICRO CIRCULAR THREADED DISCRETE LEADWIRE/CABLE (TYPE WD/WC)

Series	# of Contacts	Termination Type	Shell Material and Finish	Shell Type	Options
MMC Male (P - Pin)	5	WD: Discrete Lead Wire 	Standard N: Nickel Plated Brass 	FP: Front Panel Mount (Male Only) 	C Color Coded 
	12				
Male (P - Pin)	16	WC: Cable 	Non-Standard Options BN: Black Nickel Plated Brass 	RP: Rear Panel Mount (Male Only) 	OR O-Ring 
	27				
	39	Wire/Cable Length: 18.0=18.0" Standard Option "XX.X" = Custom Length i.e. 23.4" 26 AWG Max	P: Passivated Stainless Steel 	PP: Protruding Panel Mount (Male Only) 	IP68 
			OX: Black Oxide Finished Steel 		
					

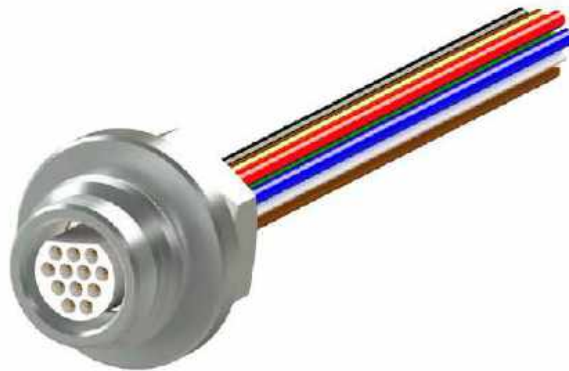


EXAMPLE:
MMCP-16-WD-10.0-C-PP-N-OR

MICRO 360[®] Metal

Micro Circular Threaded Panel Mount

Optional IP68 rating



Electrical-Mechanical Specifications

- Performance: _____ Product family tested to and passed or exceeded the performance specifications of Table VIII of MIL-DTL-83513
- Contact Resistance: _____ 26 Milliohm Max (65mV Drop Max) @ 2.5 Amps per MIL-DTL-83513
- Current Rating: _____ 3 Amps per MIL-DTL-83513
- Operating Temperature: _____ -55°C to 125°C (200°C with High Temp Epoxy)
IP68 overmold -55°C to 85°C
- Durability: _____ >2000 mating cycles min
- Insulation Resistance: _____ 5000 megohms @ 500 VDC
- Shock: _____ 50 g's with no discontinuities > 1 microsecond
- Vibration: _____ 20 g's with no discontinuities > 1 microsecond
- Mating/Unmating Force: _____ 3 oz (85 g) typical per contact
- Thermal Vacuum Outgassing (Space Class): _____ NASA SP-R-0022

Material Specifications

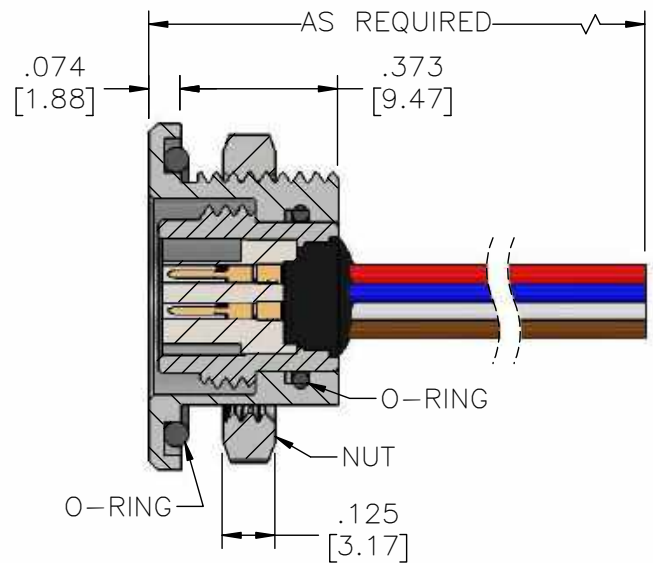
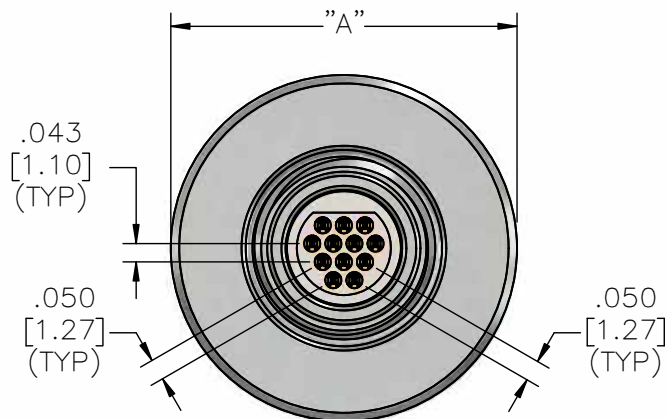
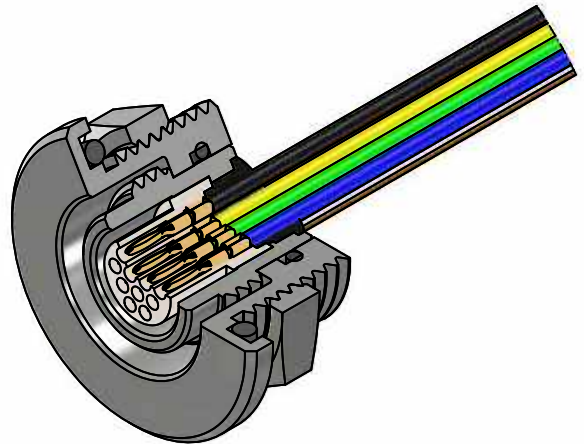
- Contact: _____ Copper Alloy Per MIL-DTL-83513
- Contact Finish: _____ Gold per ASTM B488, Type II, Class 1.27, Code C
Over Nickel Underplate
- Insulator: _____ Thermoplastic per MIL-M-24519
- Overmold: _____ Black Thermoplastic Polyurethane
- O-Ring: _____ BUNA-N
- Cable (Shielded): _____ 26 AWG, (7-34) Tinned Copper, PFA color coded, Black
Polyurethane Jacket
- Wire: _____ 26 AWG (7-34) PTFE, color coded

Shell Options

- Brass Alloy 360 1/2 Hard: _____ Electroless Nickel per SAE-AMS-2404
Black Nickel per MIL-P-18317
- Stainless Steel, 300 Series: _____ Passivated per SAE-AMS-2700
Black Oxide Finish per MIL-DTL-13924, Class 4*, Passivated
per SAE-AMS-2700

* less resistance to salt spray test.

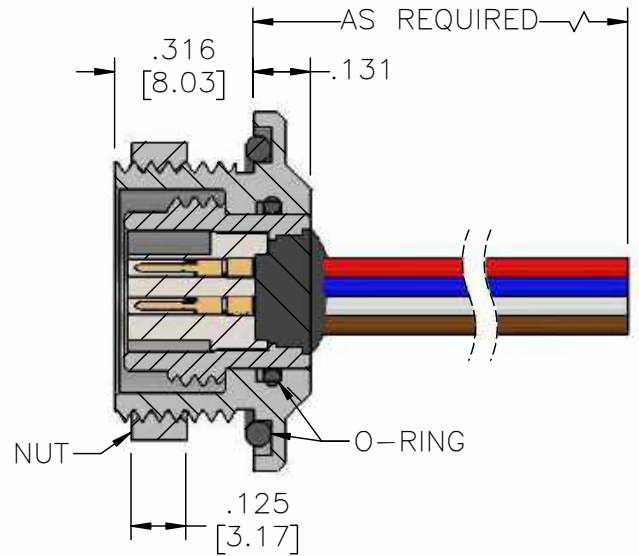
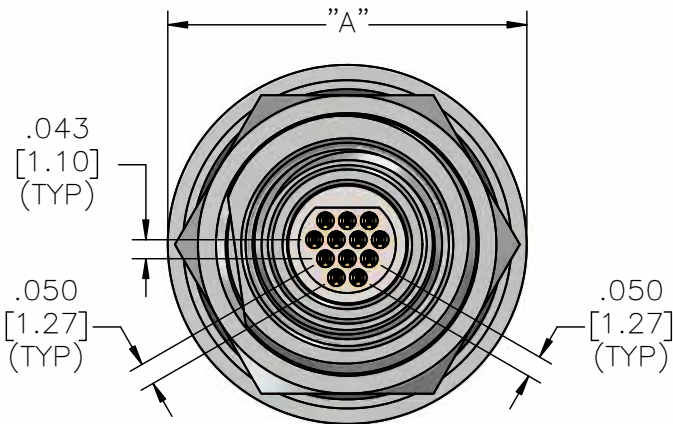
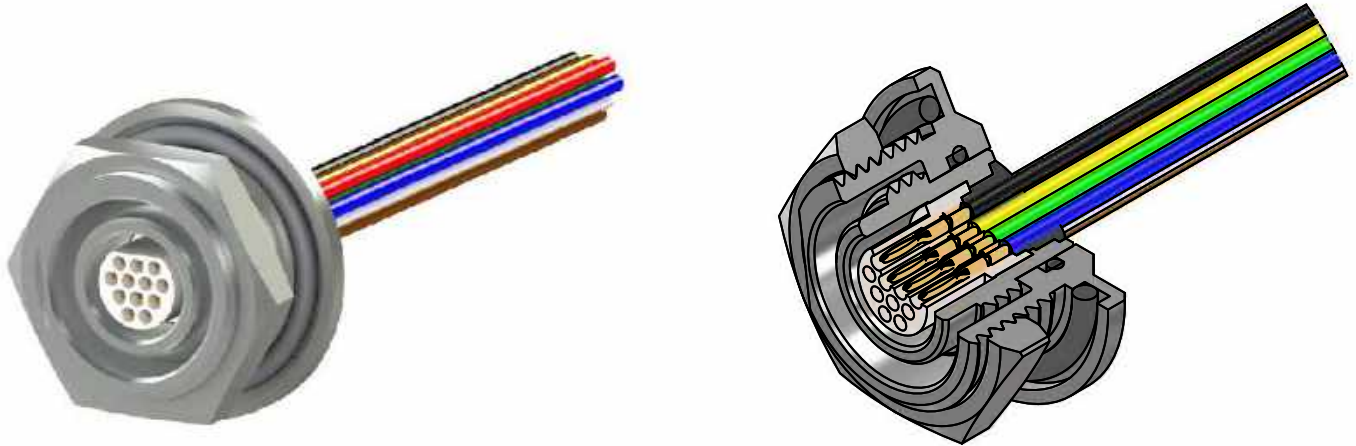
Metal - Pin - Threaded - Wired - Front Panel MMCP-WD-FP



English (IN) **Metric (MM)**

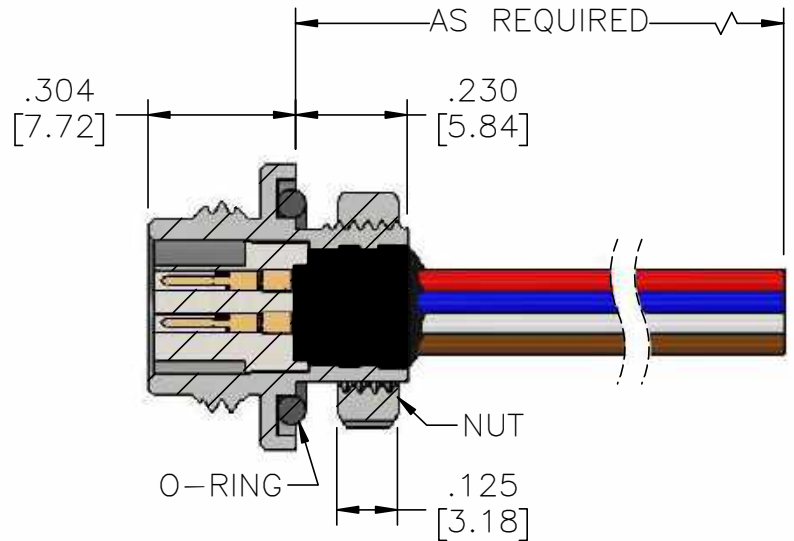
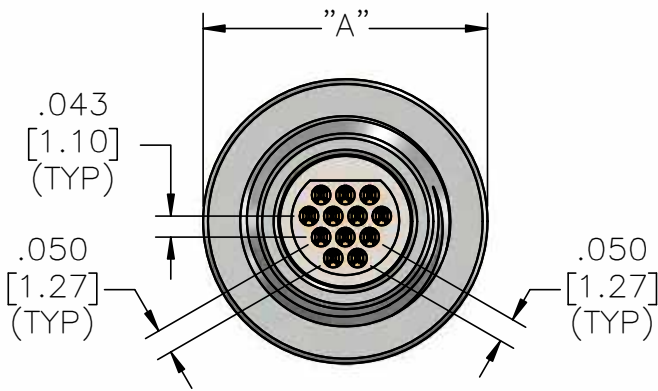
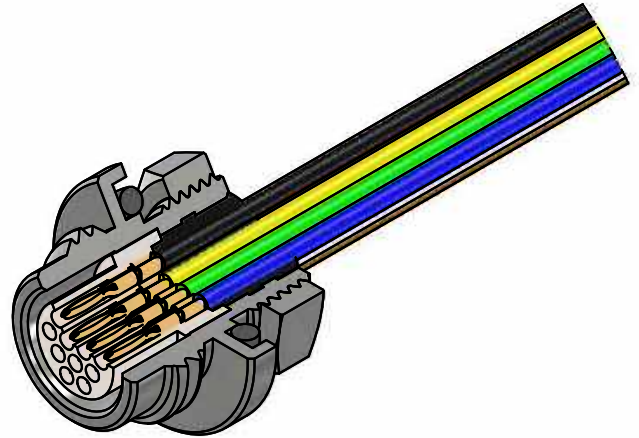
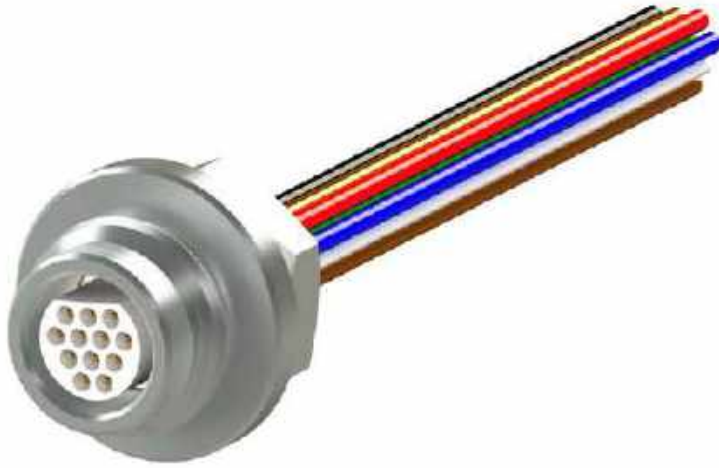
Part #	Contacts	A	A
A22128-001	5	0.750	19.05
A22129-001	12	0.820	20.83
A22130-001	16	0.875	22.23
A22131-001	27	0.990	25.15
A22483-001	39	1.100	27.94

**Metal - Pin - Threaded -
Wired/Cable - Rear Panel
MMCP-WC/WD-RP**















Part #	Contacts	English	Metric
		(IN)	(MM)
A22132-001	5	A	A
A22133-001	12	0.750	19.05
A22134-001	16	0.820	20.83
A22135-001	27	0.875	22.23
A22484-001	39	0.990	25.15
		1.100	27.94

Metal - Pin - Threaded - Wired - Protruding Panel MMCP-WD-PP



Part #	Contacts	English	Metric
		(IN)	(MM)
A22371-001	5	A	A
A22376-001	12	0.541	13.74
A22381-001	16	0.586	14.88
A22386-001	27	0.662	16.81
A22386-001	27	0.742	18.85
A22485-001	39	0.821	20.85

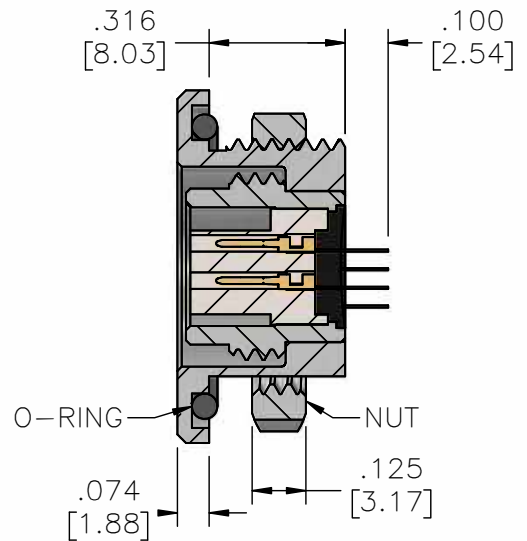
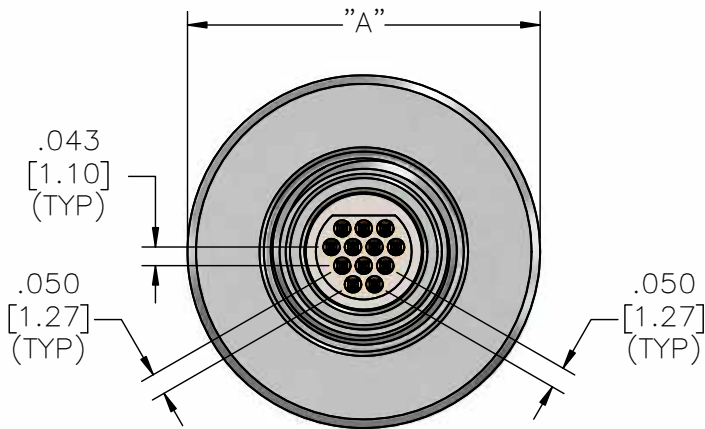
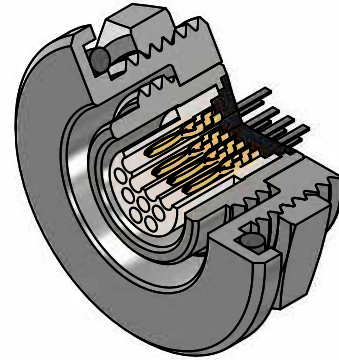
METAL MICRO CIRCULAR STRAIGHT THRU-HOLE TAIL (TYPE DD)

Series	# of Contacts	Termination Type	Shell Material and Finish	Shell Type	Options
MMC Male (P - Pin) 	5	DD: Straight Thru-Hole  	Standard N: Nickel Plated Brass 	FP: Front Panel Mount 	OR O-Ring 
	12		Non-Standard Options BN: Black Nickel Plated Brass 	RP: Rear Panel Mount 	IP68 <div style="border: 1px solid black; padding: 2px; display: inline-block;">IP68</div>
	16		P: Passivated Stainless Steel 		RH RoHS COMPLIANT 
	27		OX: Black Oxide Finished Steel 		

EXAMPLE:
MMCP-05-DD-RP-N-OR

Metal - Pin - Straight Tail - Front Panel

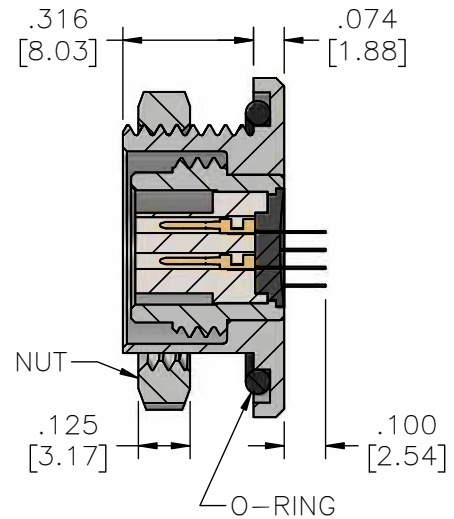
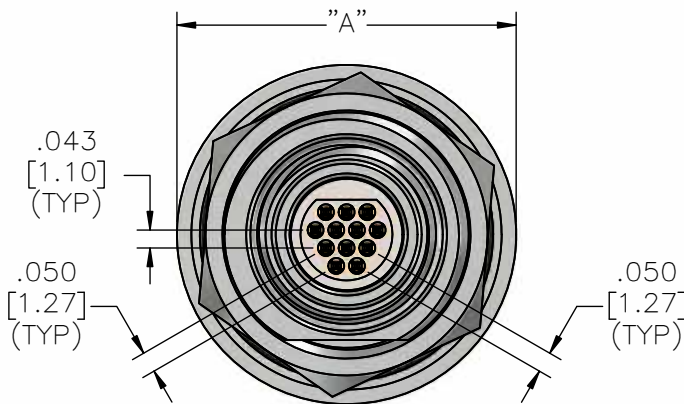
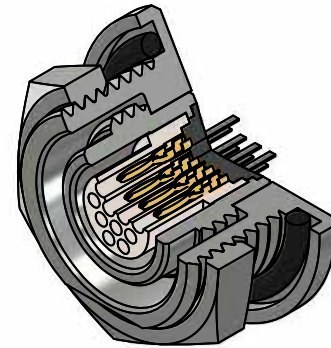
MMCP-DD-FP



	English (IN)	Metric (MM)
Contacts	A	A
5	0.750	19.05
12	0.820	20.83
16	0.875	22.23
27	0.990	25.15
39	1.100	27.94

Metal - Pin - Threaded - Straight Tail - Rear Panel

MMCP-DD-RP



	English (IN)	Metric (MM)
Contacts	A	A
5	0.750	19.05
12	0.820	20.83
16	0.875	22.23
27	0.990	25.15
39	1.100	27.94