

QUICK DISCONNECT BREAK AWAY MICRO CIRCULAR DISCRETE LEADWIRE/CABLE (TYPE WD/WC)

Series	# of Contacts	Termination Type	Shell Material and Finish	Shell Type	Options
KBM (Keyed Break Away)	5 12	WD: Discrete Lead Wire 	Standard N: Nickel Plated Brass 	IS: Inline Shell (Shell Only) Male 	C Color Coded 
BAM (Standard Break Away)	16 27 39				
Male (P - Pin) 		WC: Cable 	Non-Standard Options BN: Black Nickel Plated Brass 	Female 	OM Overmold (Contact Omnetics for Overmold Information & Availability) 
Female (S - Socket) 		Wire/Cable Length: 18.0=18.0" Standard Option "XX.X" = Custom Length i.e. 23.4" 26 AWG Max	P: Passivated Stainless Steel 	SR: Inline Shell w/ Strain Relief 	
			OX: Black Oxide Finished Steel 	ST: Inline Shell w/ Shrink Tube 	IP68 IP68



EXAMPLE:

KBMS-16-WC-10.0-C-N-IS-OM-IP68



MICRO 360[®] Metal

Micro Circular Break Away *Optional IP68 Rating*



Electrical-Mechanical Specifications

- Performance: _____ Product family tested to and passed or exceeded the performance specifications of Table VIII of MIL-DTL-83513
- Contact Resistance: _____ 26 Milliohm Max (65mV Drop Max) @ 2.5 Amps per MIL-DTL-83513
- Current Rating: _____ 3 Amps per MIL-DTL-83513
- Operating Temperature: _____ -55°C to 125°C (200°C with High Temp Epoxy)
IP68 overmold -55°C to 85°C
- Durability: _____ 500 mating cycles min
- Insulation Resistance: _____ 5000 megohms @ 500 VDC
- Shock: _____ 50 g's with no discontinuities > 1 microsecond
- Vibration: _____ 20 g's with no discontinuities > 1microsecond
- Mating/Unmating Force: _____ 3 oz (85 g) typical per contact
- Thermal Vacuum Outgassing (Space Class): _____ NASA SP-R-0022

Material Specifications

- Contact: _____ Copper Alloy Per MIL-DTL-83513
- Contact Finish: _____ Gold per ASTM B488, Type II, Class 1.27, Code C
Over Nickel Underplate
- Insulator: _____ Thermoplastic per MIL-M-24519
- Overmold: _____ Black Thermoplastic Polyurethane
- O-Ring: _____ BUNA-N
- Cable (Shielded): _____ 26 AWG, (7-34) Tinned Copper, PFA color coded, Black
Polyurethane Jacket
- Wire: _____ 26 AWG (7-34) PTFE, color coded

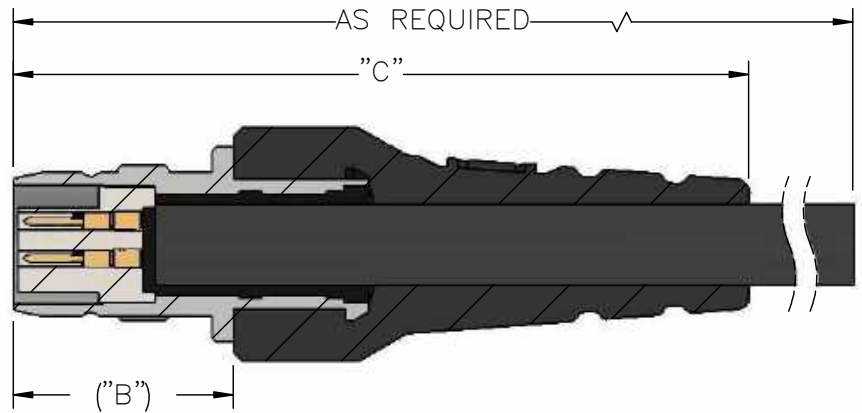
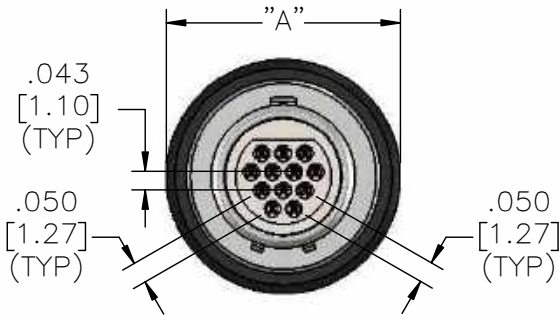
Shell Options

- Brass Alloy 360 1/2 Hard: _____ Electroless Nickel per SAE-AMS-2404
Black Nickel per MIL-P-18317
- Stainless Steel, 300 Series: _____ Passivated per SAE-AMS-2700
Black Oxide Finish per MIL-DTL-13924, Class 4*, Passivated
per SAE-AMS-2700

* less resistance to salt spray test.

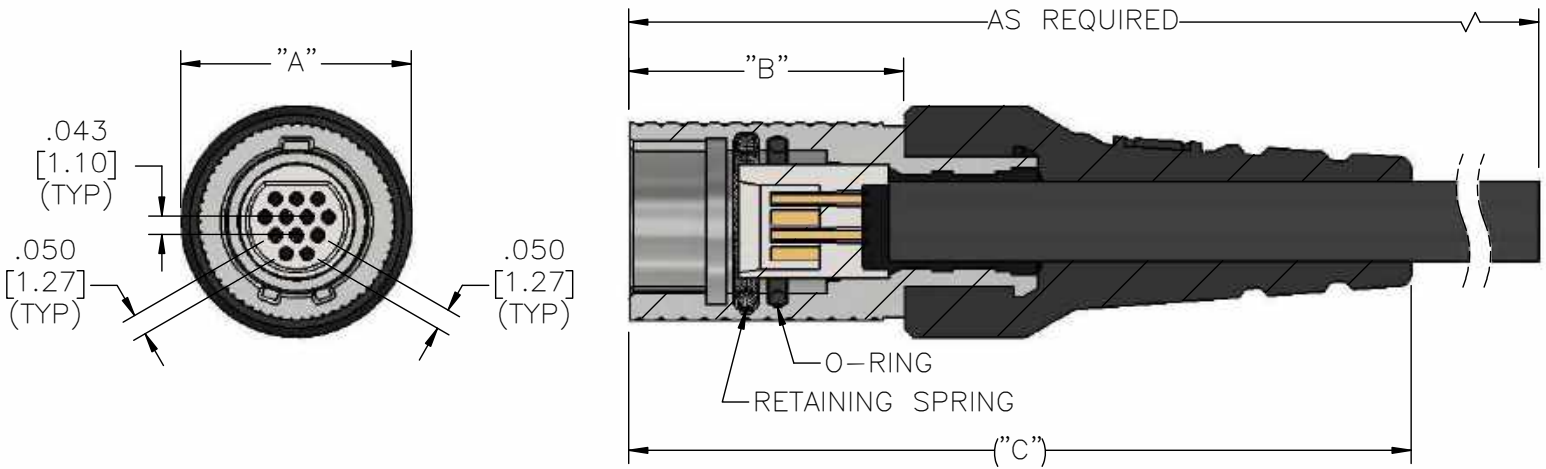
Metal - Pin - Keyed Break Away - Cabled - Overmold - Inline

KBMP-WC-OM-IS



Part #	Contacts	English (IN)			Metric (MM)		
		A	B	C	A	B	C
A22458-001	5	0.510	0.510	1.660	12.95	12.95	42.16
A22465-001	12	0.550		1.710	13.97		43.43
A22472-001	16	0.600		1.810	15.24		45.97
A22479-001	27	0.670	0.500	1.900	17.02	12.70	48.26
A22548-001	39	0.720		18.29			

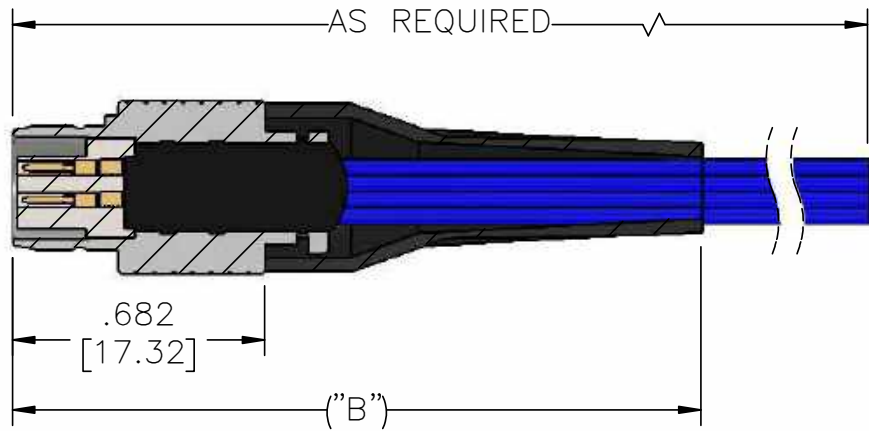
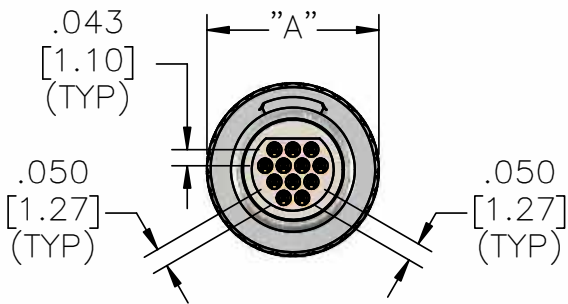
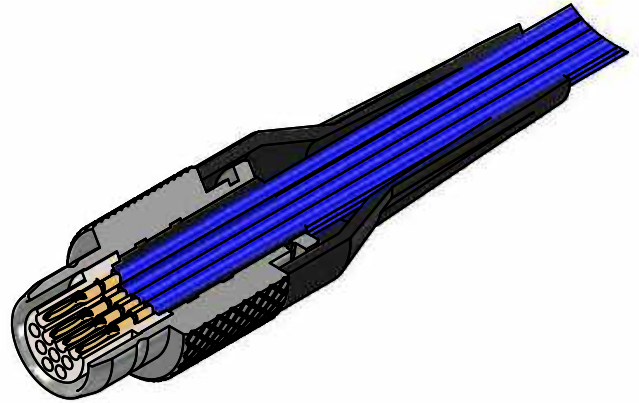
**Metal - Socket - Keyed Break Away -
Cabled - Overmold - Inline**
KBMS-WC-OM-IS



Part #	Contacts	English (IN)			Metric (MM)		
		A	B	C	A	B	C
A22455-001	5	0.510	0.650	1.800	12.95	16.51	45.72
A22462-001	12	0.550		1.850	13.97		46.99
A22469-001	16	0.600		1.950	15.24		49.53
A22476-001	27	0.670	0.640	2.040	17.02	16.26	51.82
A22552-001	39	0.720		18.29			

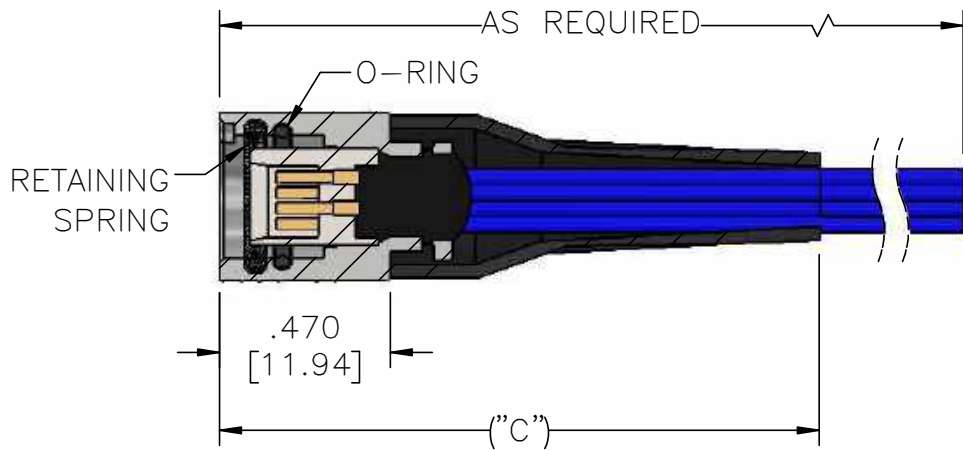
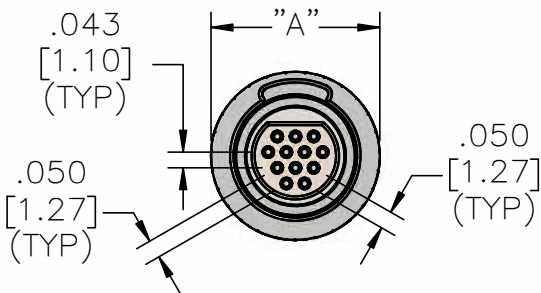
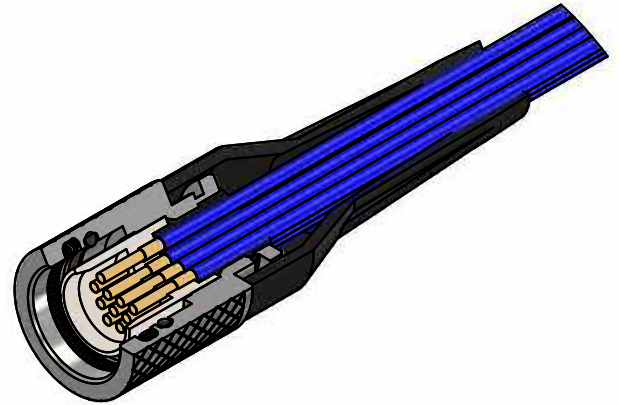
Metal - Pin - Break Away - Wired - Inline - Strain Relief

BAMP-WD-IS-SR



Part #	Contacts	English (IN)		Metric (MM)	
		A	B	A	B
A22304-001	5	0.430	1.900	10.92	48.26
A22311-001	12	0.470		11.94	
A22318-001	16	0.530		13.46	
A22325-001	27	0.610	2.100	15.49	53.34
A22538-001	39	0.650	2.300	16.51	58.42

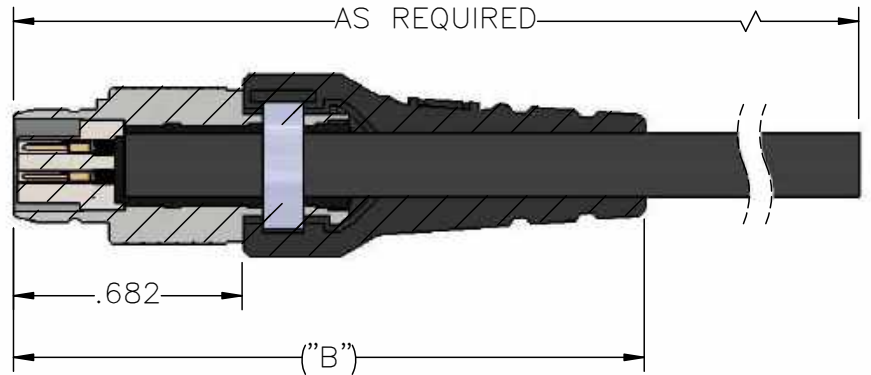
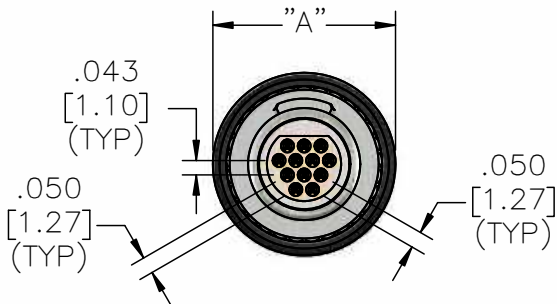
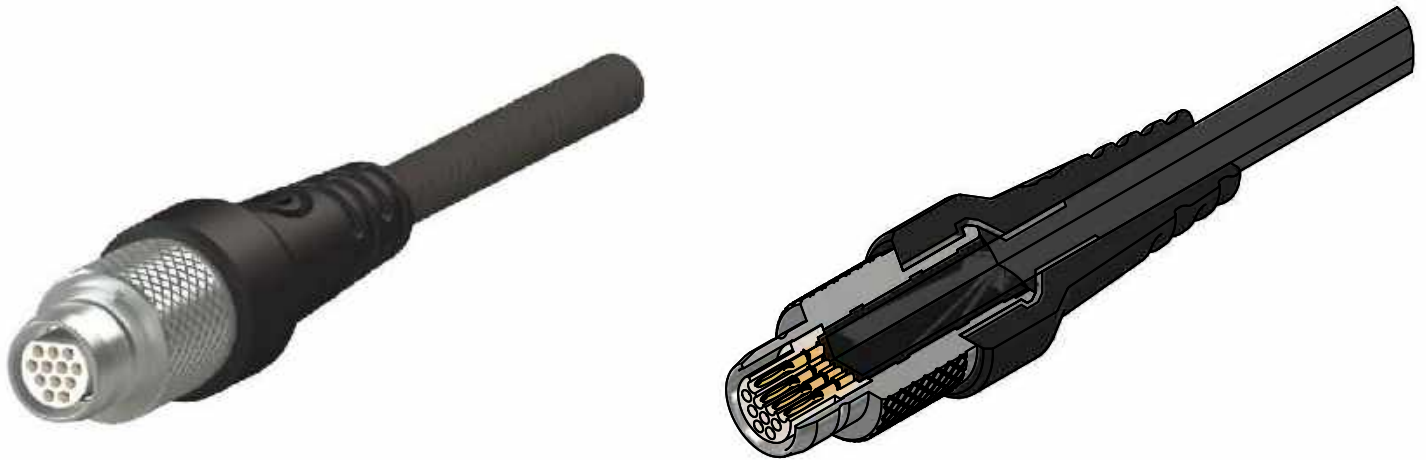
**Metal - Socket - Break Away -
Wired - Inline - Strain Relief**
BAMS-WD-IS-SR



Part #	Contacts	English (IN)		Metric (MM)	
		A	B	A	B
A22301-001	5	0.430	1.700	10.92	43.18
A22308-001	12	0.460	0.470	11.68	11.94
A22315-001	16	0.530	1.700	13.46	43.18
A22322-001	27	0.610	1.900	15.49	48.26
A22542-001	39	0.650	2.100	16.51	53.34

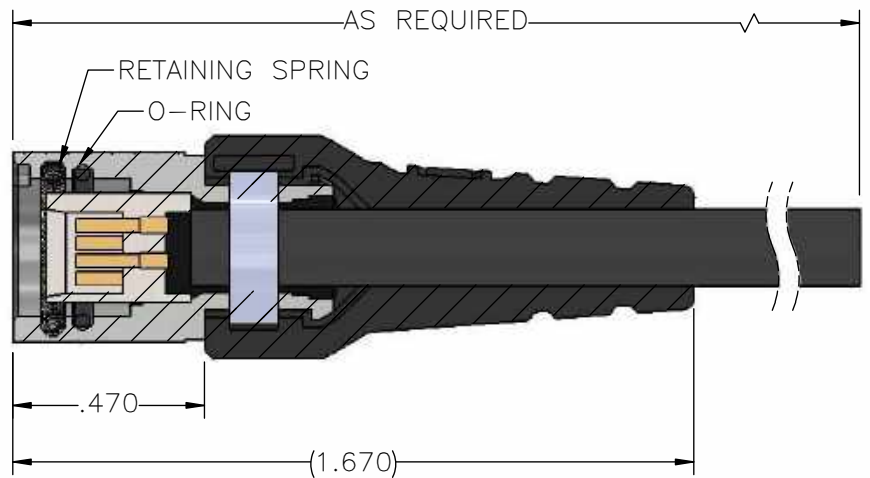
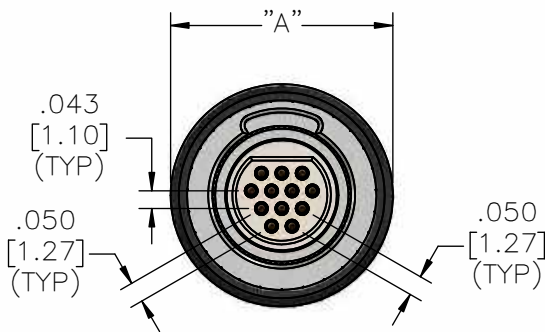
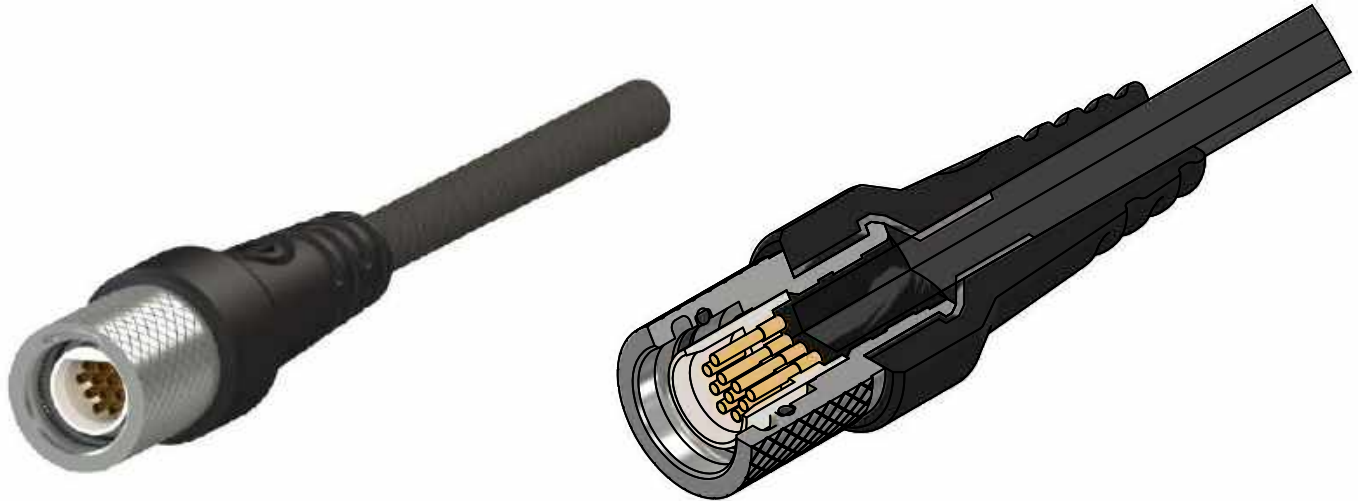
Metal - Pin - Break Away - Cable - Overmold - Inline - IP68

BAMP-WC-OM-IS-IP68



		English (IN)	Metric (MM)
Part #	Contacts	A	A
A22344-001	5	0.510	12.95
A22342-001	12	0.550	13.97
A22340-001	16	0.600	15.24
A22338-001	27	0.670	17.02
-	39	Contact Omnetics for dimensions	

**Metal - Socket - Break Away -
Cable - Overmold - Inline - IP68**
BAMS-WC-OM-IS-IP68



English (IN) Metric (MM)

Part #	Contacts	A	A
A22343-001	5	0.510	12.95
A22341-001	12	0.550	13.97
A22339-001	16	0.600	15.24
A22337-001	27	0.670	17.02
-	39	0.720	18.29