








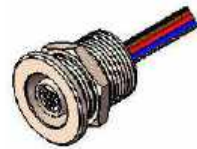






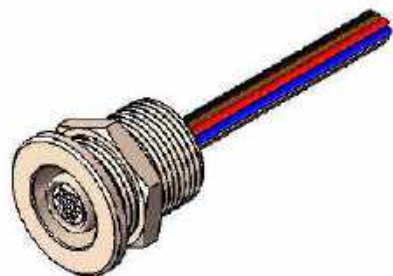


BREAK AWAY MICRO CIRCULAR DISCRETE LEADWIRE/CABLE (TYPE WD/WC)

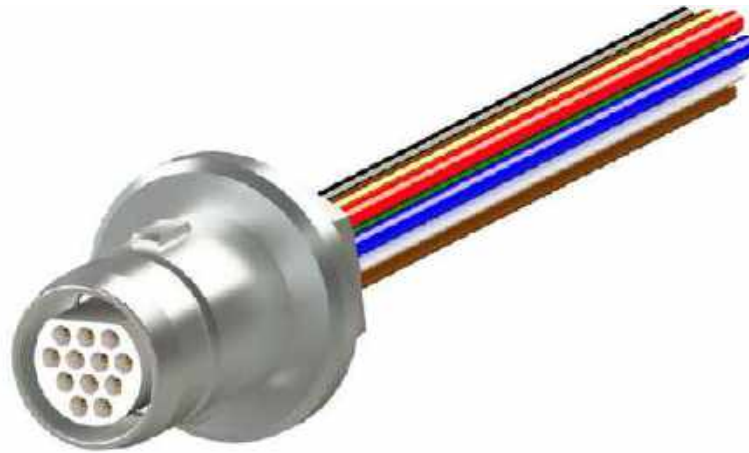
Series	# of Contacts	Termination Type	Shell Material and Finish	Shell Type	Options
KBM (Keyed Break Away)	5 12 16	WD: Discrete Lead Wire	Standard N: Nickel Plated Brass	RP: Rear Panel Mount	C Color Coded
BAM (Standard Break Away)	27 39				
Male (P - Pin)		WC: Cable	Non-Standard Options BN: Black Nickel Plated Brass		OR O-Ring
				FP: Front Panel Mount	
Female (S - Socket)		Wire/Cable Length: 18.0=18.0" Standard Option "XX.X" = Custom Length i.e. 23.4" 26 AWG Max	P: Passivated Stainless Steel		
					IP68
			OX: Black Oxide Finished Steel	PP: Protruding Panel Mount (male only)	
					
					



EXAMPLE:
KBMP-12-WD-10.0-C-FP-N-OR

Micro Circular Break Away Panel Mount

Optional IP68 Rating



Electrical-Mechanical Specifications

- Performance: _____ Product family tested to and passed or exceeded the performance specifications of Table VIII of MIL-DTL-83513
- Contact Resistance: _____ 26 Milliohm Max (65mV Drop Max) @ 2.5 Amps per MIL-DTL-83513
- Current Rating: _____ 3 Amps per MIL-DTL-83513
- Operating Temperature: _____ -55°C to 125°C (200°C with High Temp Epoxy)
IP68 overmold -55°C to 85°C
- Durability: _____ 500 mating cycles min
- Insulation Resistance: _____ 5000 megohms @ 500 VDC
- Shock: _____ 50 g's with no discontinuities > 1 microsecond
- Vibration: _____ 20 g's with no discontinuities > 1 microsecond
- Mating/Unmating Force: _____ 3 oz (0.085 kg) max per contact
- Thermal Vacuum Outgassing (Space Class): _____ NASA SP-R-0022

Material Specifications

- Contact: _____ Copper Alloy Per MIL-DTL-83513
- Contact Finish: _____ Gold per ASTM B488, Type II, Class 1.27, Code C Over Nickel Underplate
- Insulator: _____ Thermoplastic per MIL-M-24519
- Overmold: _____ Black Thermoplastic Polyurethane
- O-Ring: _____ BUNA-N
- Cable (Shielded): _____ 26 AWG, (7-34) Tinned Copper, PFA color coded, Black Polyurethane Jacket
- Wire: _____ 26 AWG (7-34) PTFE, color coded

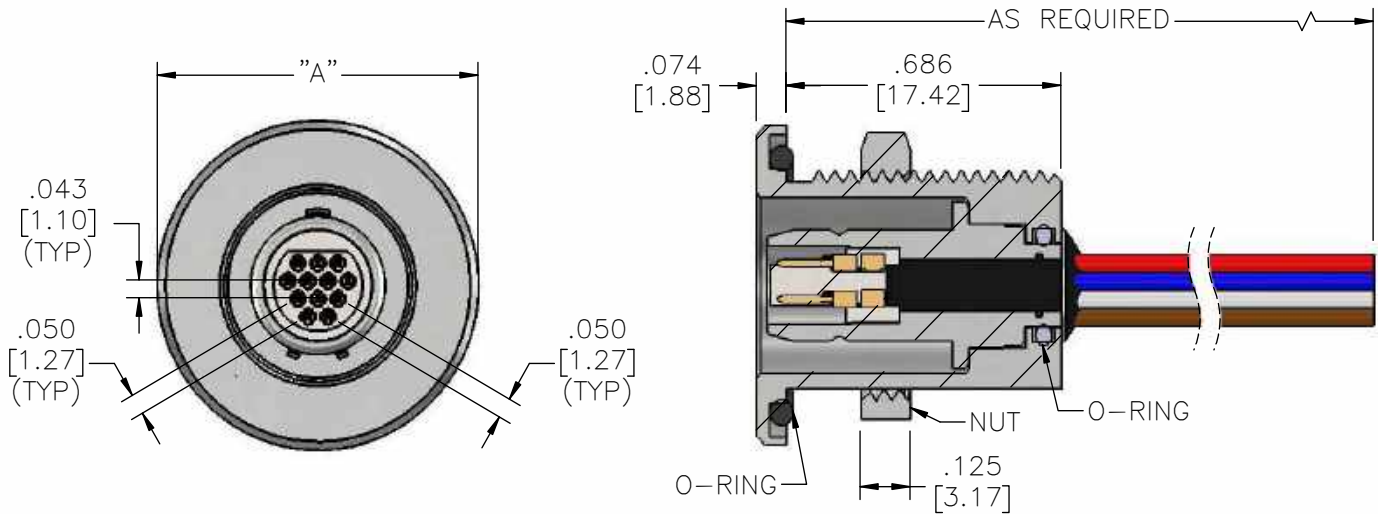
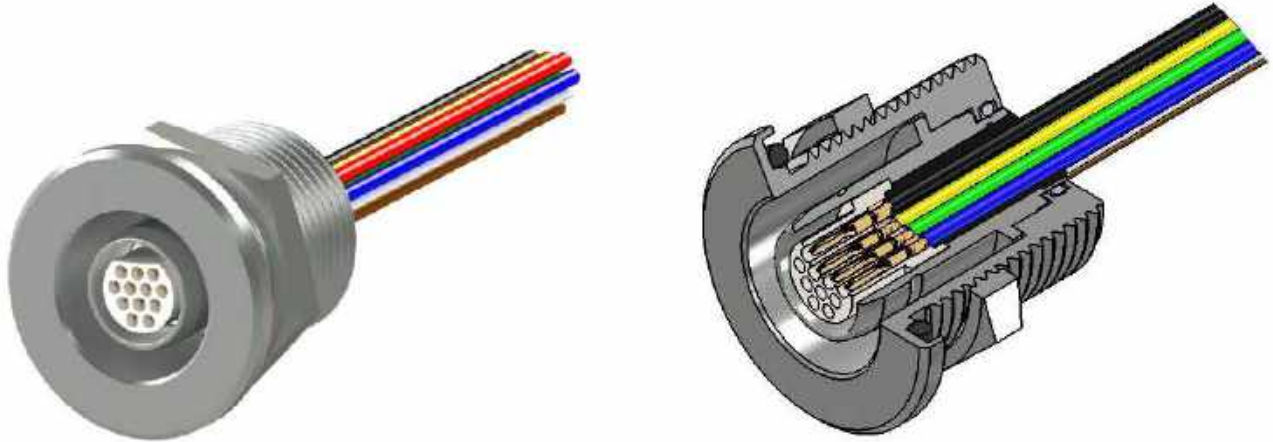
Shell Options

- Brass Alloy 360 1/2 Hard: _____ Electroless Nickel per SAE-AMS-2404
Black Nickel per MIL-P-18317
- Stainless Steel, 300 Series: _____ Passivated per SAE-AMS-2700
Black Oxide Finish per MIL-DTL-13924, Class 4*, Passivated per SAE-AMS-2700

* less resistance to salt spray test.

Metal - Pin - Keyed Break Away - Wired - Front Panel

KBMP-WD-FP

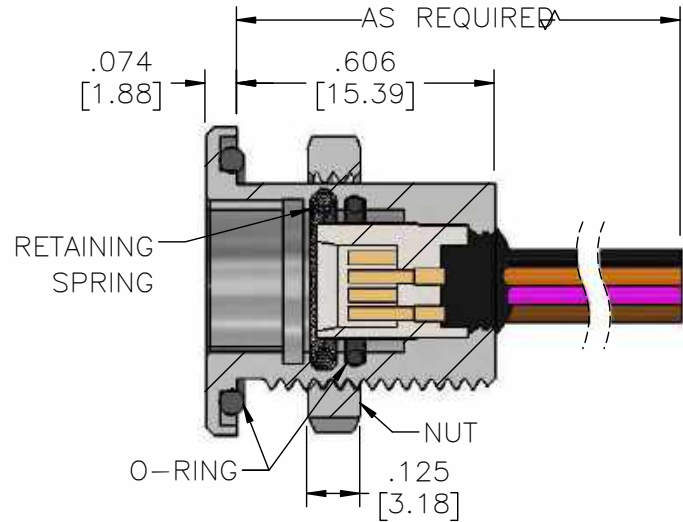
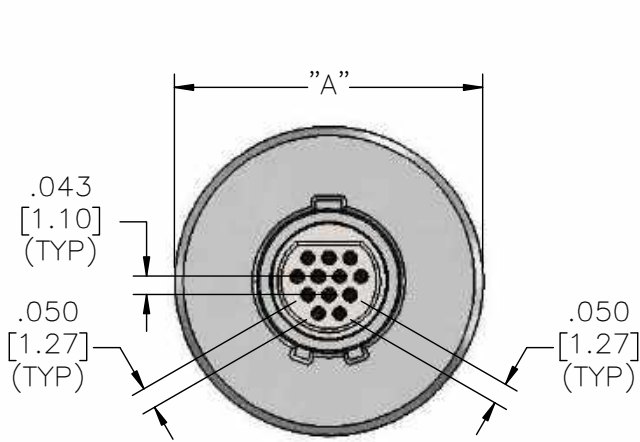
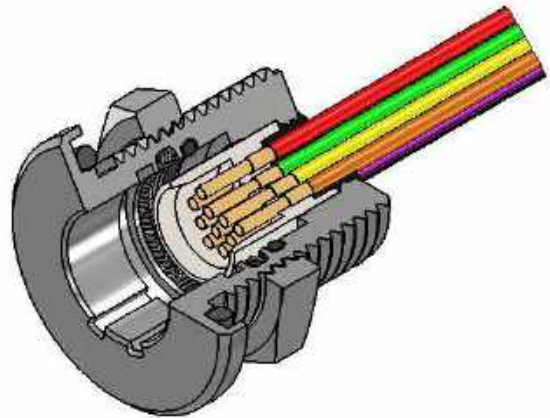


English (IN) Metric (MM)

Part #	Contacts	A	A
A22460-001	5	0.765	19.43
A22467-001	12	0.800	20.32
A22474-001	16	0.865	21.97
A22481-001	27	0.945	24.00
A22544-001	39	1.000	25.40

Metal - Socket - Keyed Break Away - Wired- Front Panel

KBMS-WD-FP

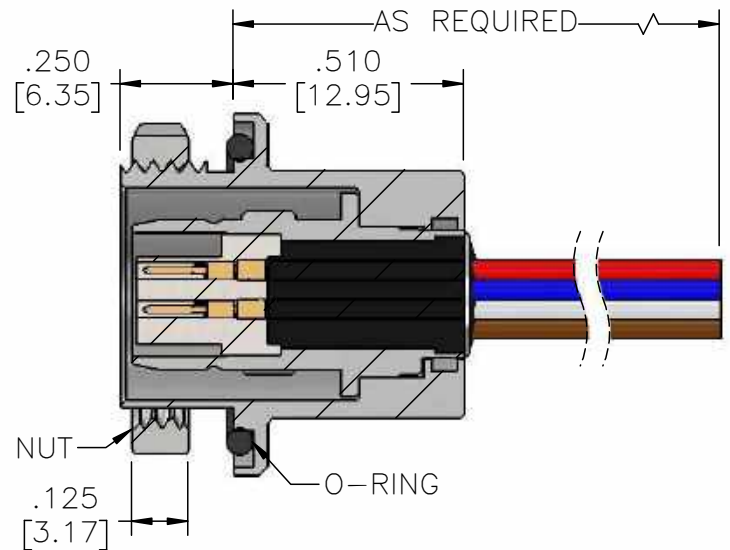
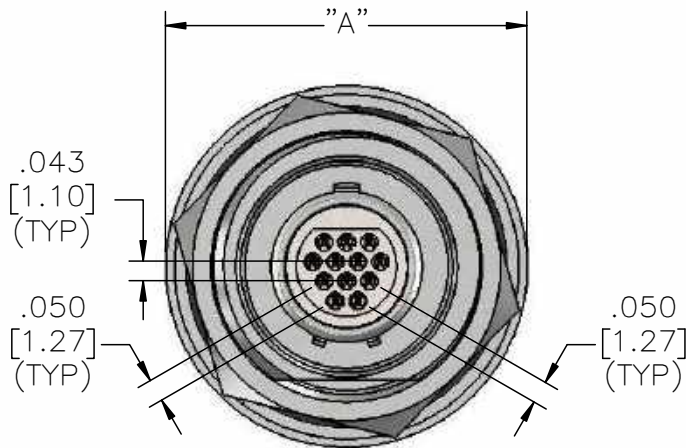
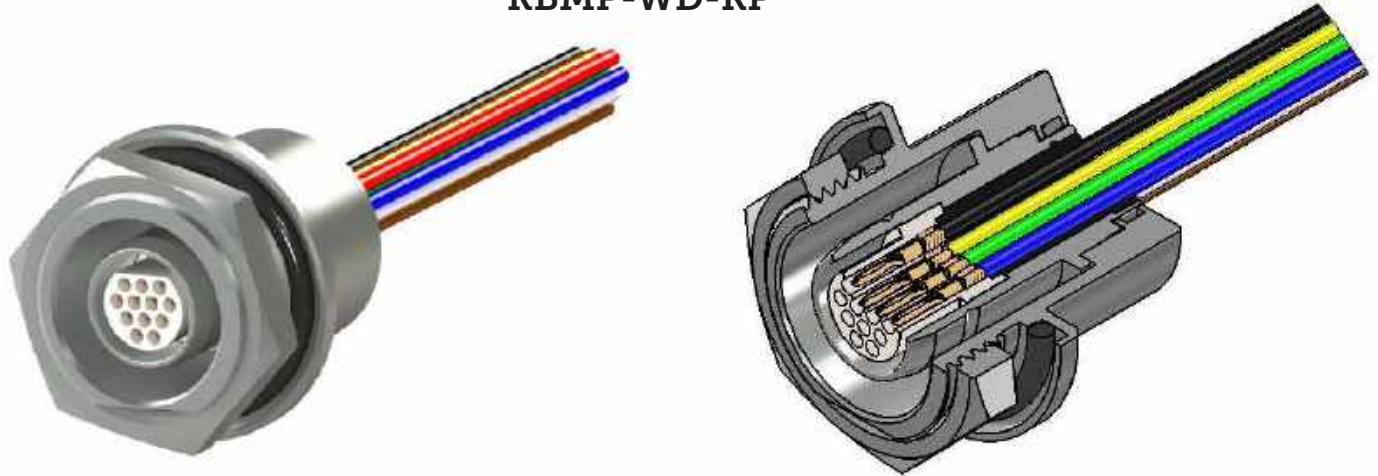


English (IN) Metric (MM)

Part #	Contacts	English (IN)	Metric (MM)
A22456-001	5	0.680	17.27
A22463-001	12	0.725	18.42
A22470-001	16	0.765	19.43
A22477-001	27	0.865	21.97
A22549-001	39	0.950	24.13

Metal - Pin - Keyed Break Away - Wired - Rear Panel

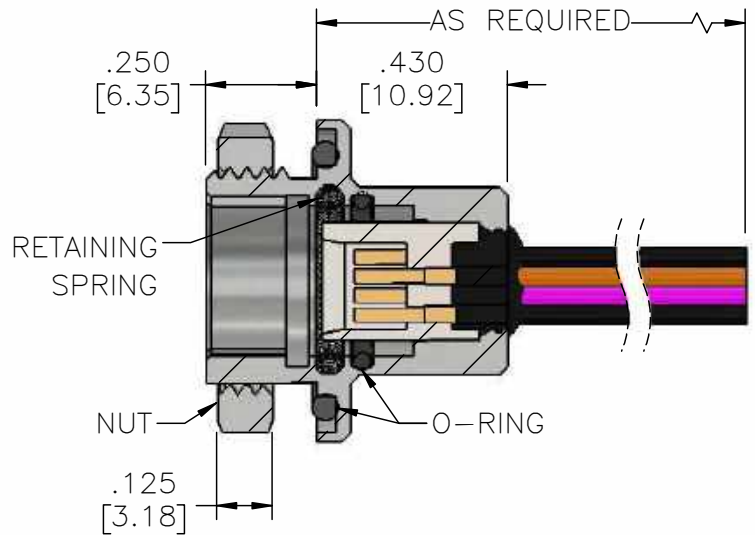
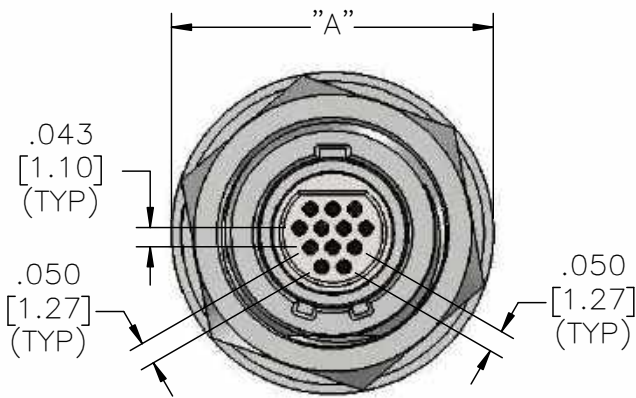
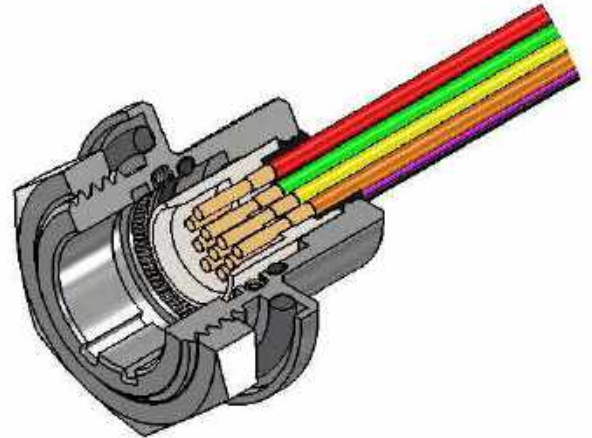
KBMP-WD-RP



Part #	Contacts	English (IN)	Metric (MM)
		A	A
A22461-001	5	0.765	19.43
A22468-001	12	0.800	20.32
A22475-001	16	0.865	21.97
A22482-001	27	0.945	24.00
A22545-001	39	1.000	25.40

Metal - Socket - Keyed Break Away - Wired - Rear Panel

KBMS-WD-RP

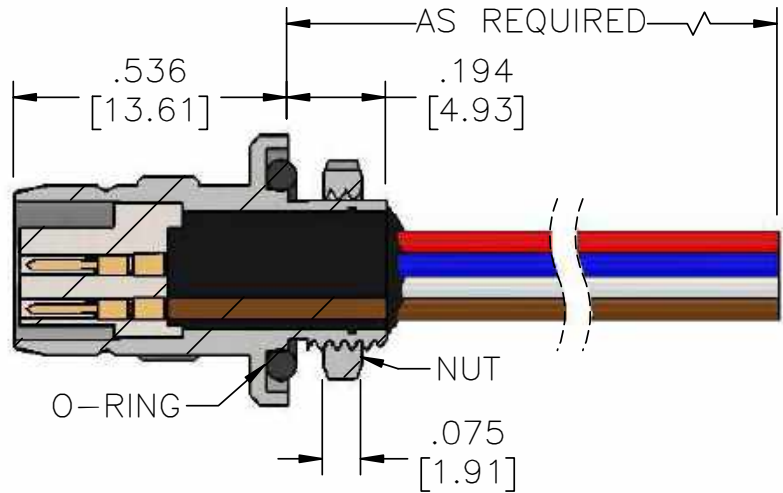
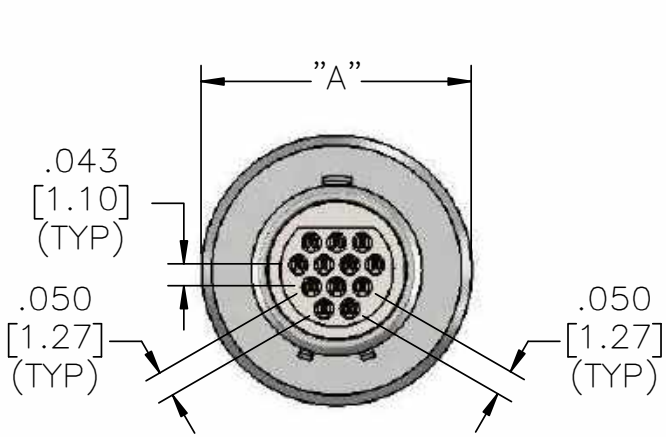
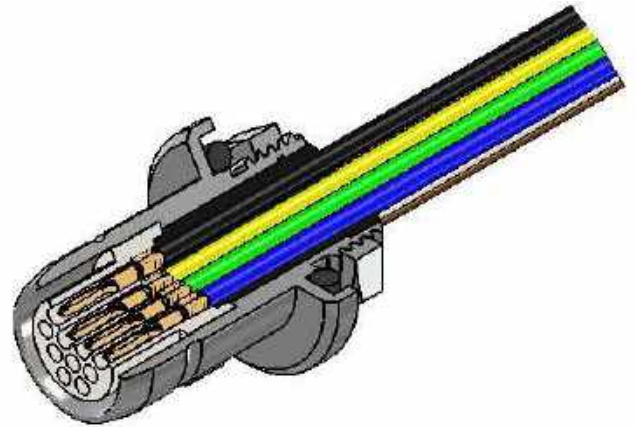
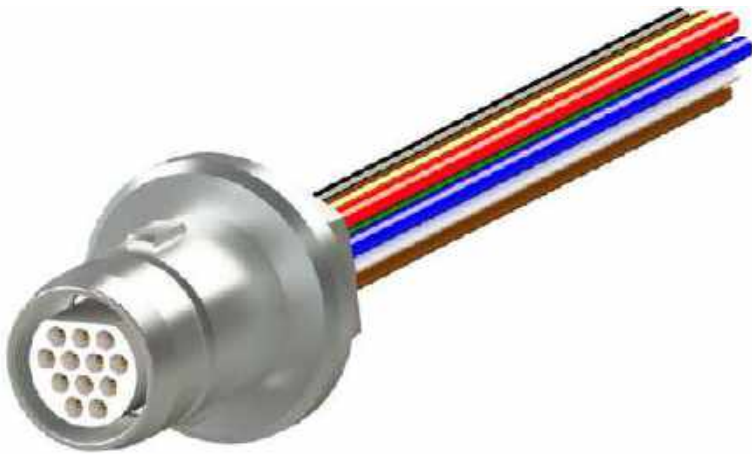


English (IN) Metric (MM)

Part #	Contacts	A	A
A22457-001	5	0.680	17.27
A22464-001	12	0.725	18.42
A22471-001	16	0.765	19.43
A22478-001	27	0.865	21.97
A22550-001	39	0.950	24.13

Metal - Pin - Keyed Break Away - Wired - Protruding Panel

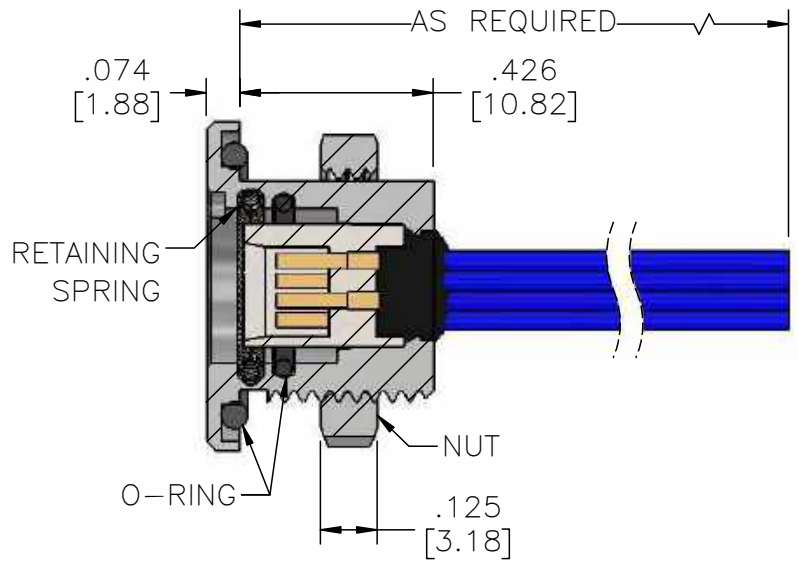
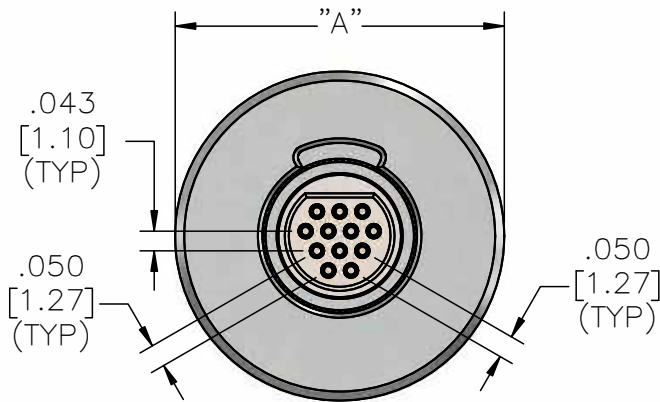
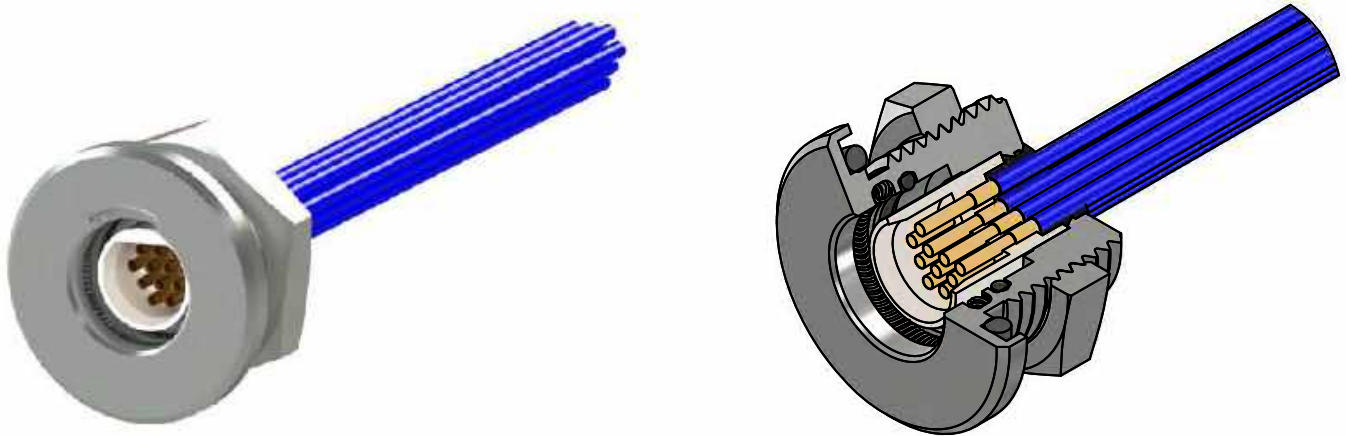
KBMP-WD-PP



Part #	Contacts	English (IN)	Metric (MM)
		A	A
A22459-001	5	0.490	12.45
A22466-001	12	0.530	13.46
A22473-001	16	0.620	15.75
A22480-001	27	0.655	16.64
A22546-001	39	0.735	18.67

Metal - Socket - Break Away - Wired - Front Panel

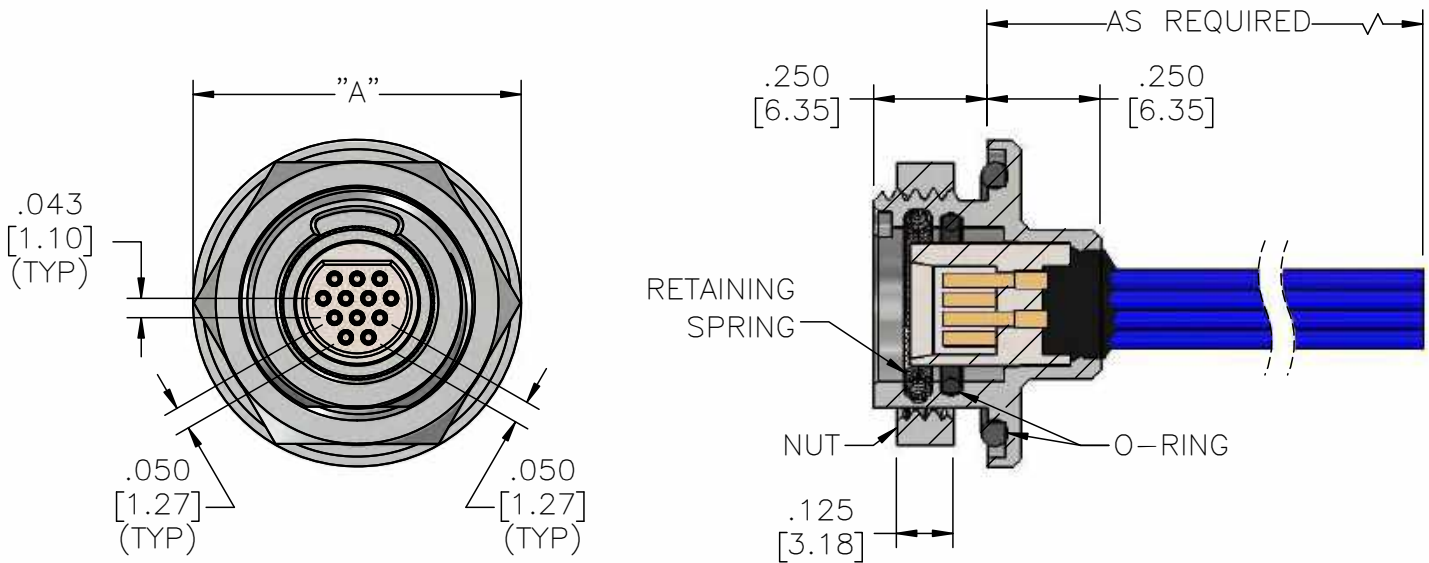
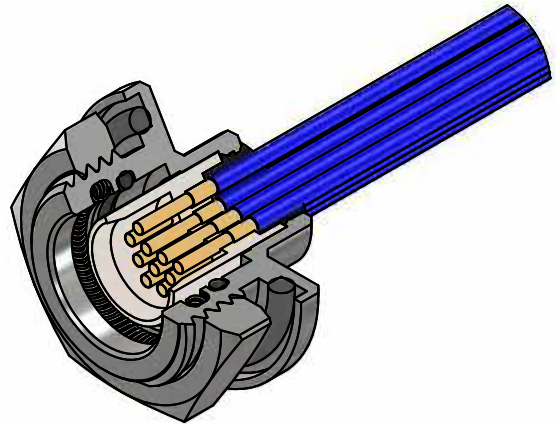
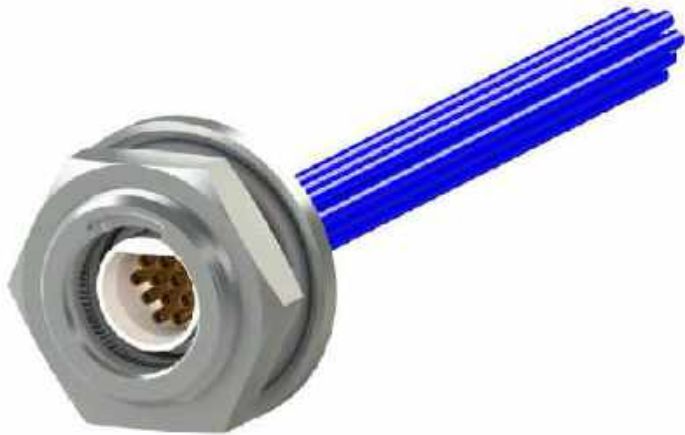
BAMS-WD-FP



English (IN) Metric (MM)

Part #	Contacts	A	A
A22431-001	5	0.680	17.27
A22436-001	12	0.725	18.42
A22441-001	16	0.765	19.43
A22446-001	27	0.865	21.97
A22540-001	39	0.945	24.00

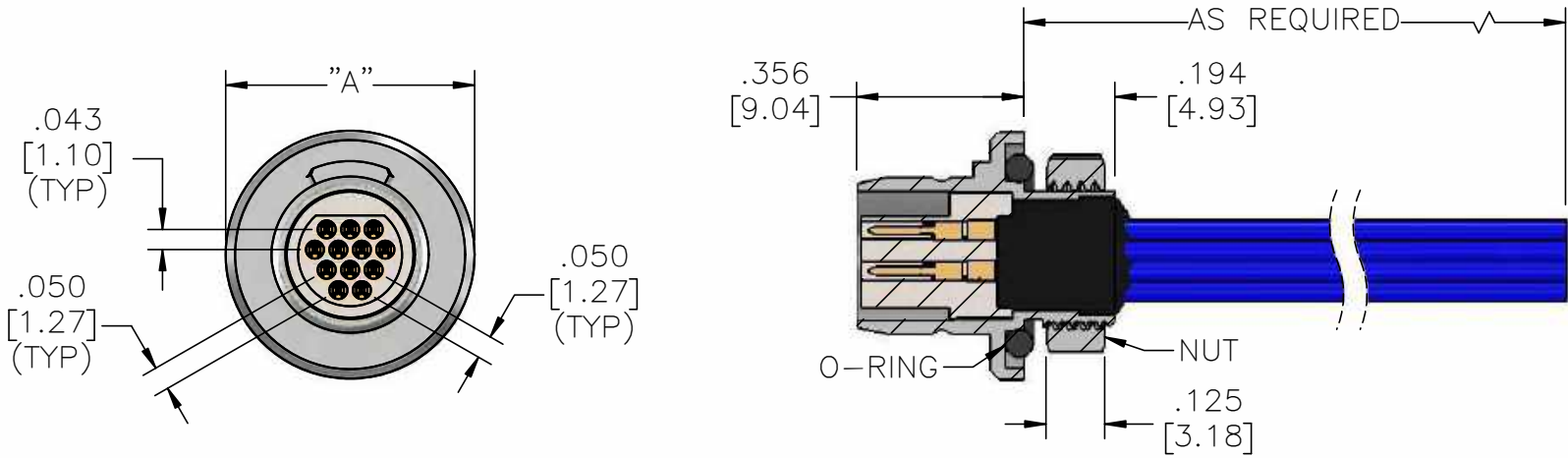
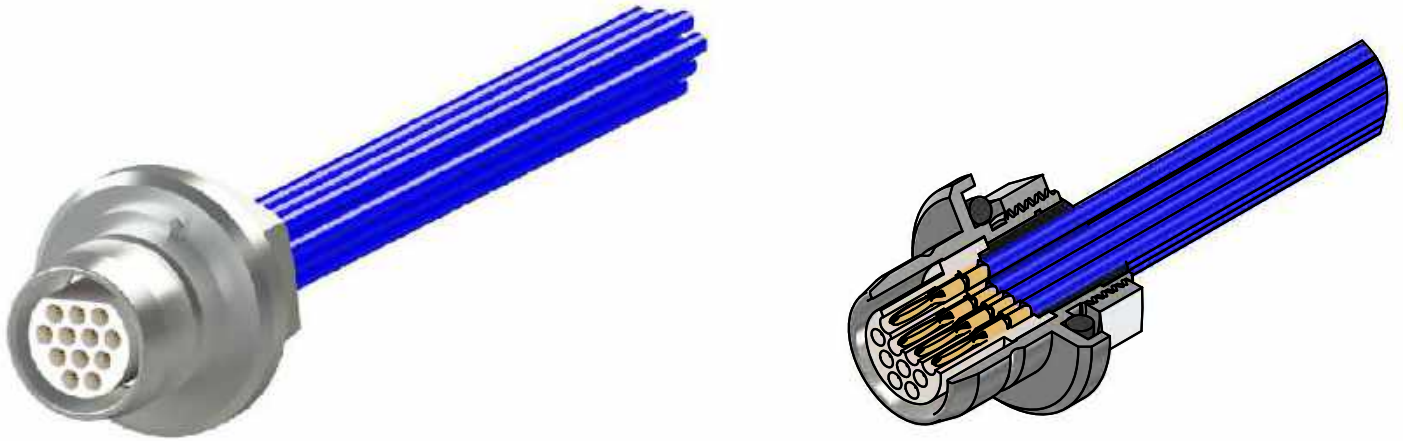
Metal - Socket - Break Away - Wired - Rear Panel BAMS-WD-RP



English (IN) Metric (MM)

Part #	Contacts	A	A
A22432-001	5	0.680	17.27
A22437-001	12	0.725	18.42
A22442-001	16	0.765	19.43
A22447-001	27	0.865	21.97
A22541-001	39	0.915	23.24

**Metal - Pin - Break Away -
Wired - Protruding Panel**
BAMP-WD-PP



English (IN) Metric (MM)

Part #	Contacts	A	A
A22435-001	5	0.490	12.45
A22440-001	12	0.530	13.46
A22445-001	16	0.620	15.75
A22450-001	27	0.655	16.64
A22537-001	39	0.745	18.92