

TWIST LOCK MICRO CIRCULAR DISCRETE LEADWIRE/CABLE (TYPE WD/WC)

| Series | # of Contacts | Termination Type | Shell Material and Finish | Shell Type | Options, cont. |
|---------------------|---------------|--|---|--|---|
| TMC | 5 | WD: Discrete Lead Wire  | Standard N: Nickel Plated Brass  | IS: Inline Shell (Shell Only)  | C Color Coded  |
| | 12 | | | | |
| Male (P - Pin) | 16 | WC: Cable  | Non-Standard Options BN: Black Nickel Plated Brass  | Options SR: Inline Shell w/ Strain Relief  | OR O-Ring  |
| | 27 | | | | |
| Female (S - Socket) | 27 | Wire/Cable Length: 18.0=18.0" Standard Option "XX.X" = Custom Length i.e. 23.4" 26 AWG Max | P: Passivated Stainless Steel  | ST: Inline Shell w/ Shrink Tube  | IP68 IP68 |
| | 39 | | | | |
| | | | OX: Black Oxide Finished Steel  | | <i>Non-Standard Option</i> OM Overmold (Contact Omnetics for Overmold Information & Availability)  |



EXAMPLE:
TMCS-12-WD-10.0-C-IS-N-ST-OR

MICRO 360[®] Metal

Micro Circular Twistlock *Optional IP68 Rating*



Electrical-Mechanical Specifications

- Performance: _____ Product family tested to and passed or exceeded the performance specifications of Table VIII of MIL-DTL-83513
- Contact Resistance: _____ 26 Milliohm Max (65mV Drop Max) @ 2.5 Amps per MIL-DTL-83513
- Current Rating: _____ 3 Amps per MIL-DTL-83513
- Operating Temperature: _____ -55°C to 125°C (200°C with High Temp Epoxy)
IP68 overmold -55°C to 85°C
- Durability: _____ >2000 mating cycles min
- Insulation Resistance: _____ 5000 megohms @ 500 VDC
- Shock: _____ 50 g's with no discontinuities > 1 microsecond
- Vibration: _____ 20 g's with no discontinuities > 1 microsecond
- Mating/Unmating Force: _____ 3 oz (85 g) typical per contact
- Thermal Vacuum Outgassing (Space Class): _____ NASA SP-R-0022

Material Specifications

- Contact: _____ Copper Alloy Per MIL-DTL-83513
- Contact Finish: _____ Gold per ASTM B488, Type II, Class 1.27, Code C
Over Nickel Underplate
- Insulator: _____ Thermoplastic per MIL-M-24519
- Overmold: _____ Black Thermoplastic Polyurethane
- O-Ring: _____ BUNA-N
- Cable (Shielded): _____ 26 AWG, (7-34) Tinned Copper, PFA color coded, Black
Polyurethane Jacket
- Wire: _____ 26 AWG (7-34) PTFE, color coded

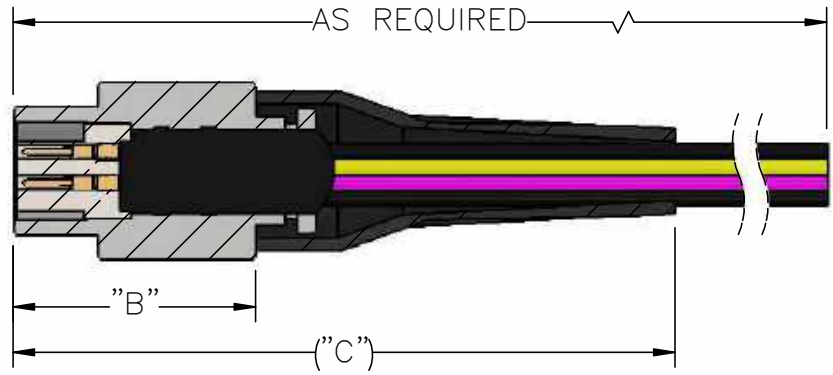
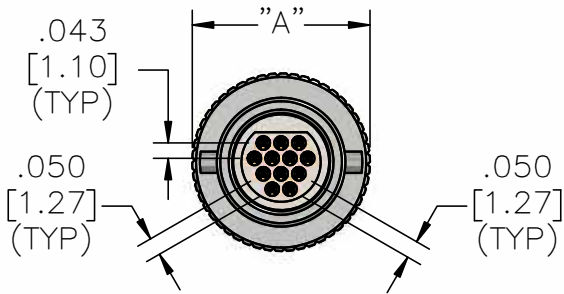
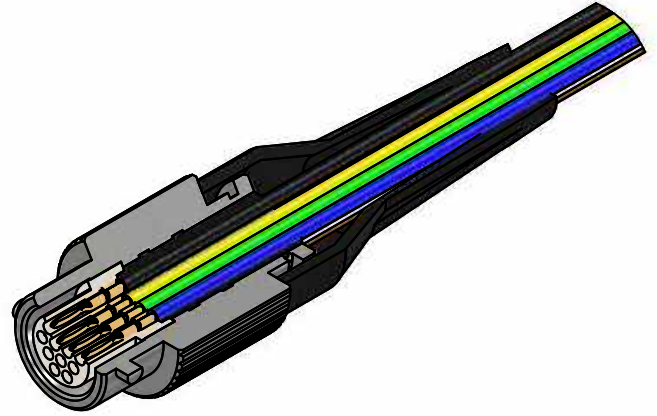
Shell Options

- Brass Alloy 360 1/2 Hard: _____ Electroless Nickel per SAE-AMS-2404
Black Nickel per MIL-P-18317
- Stainless Steel, 300 Series: _____ Passivated per SAE-AMS-2700
Black Oxide Finish per MIL-DTL-13924, Class 4*, Passivated
per SAE-AMS-2700

* less resistance to salt spray test.

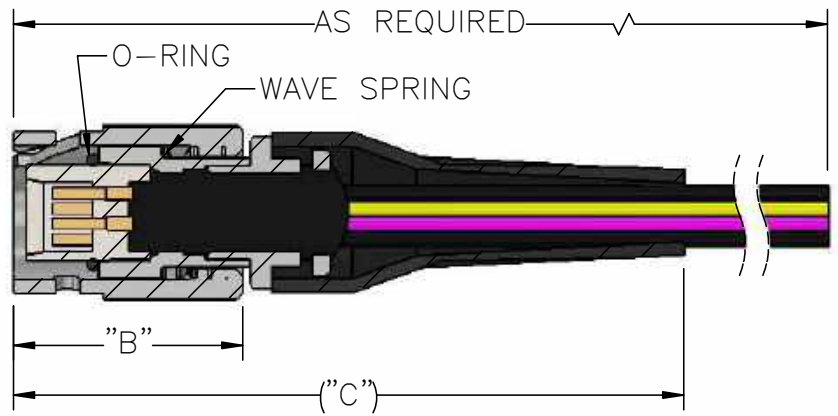
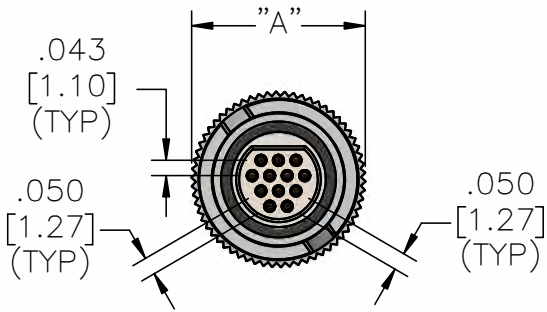
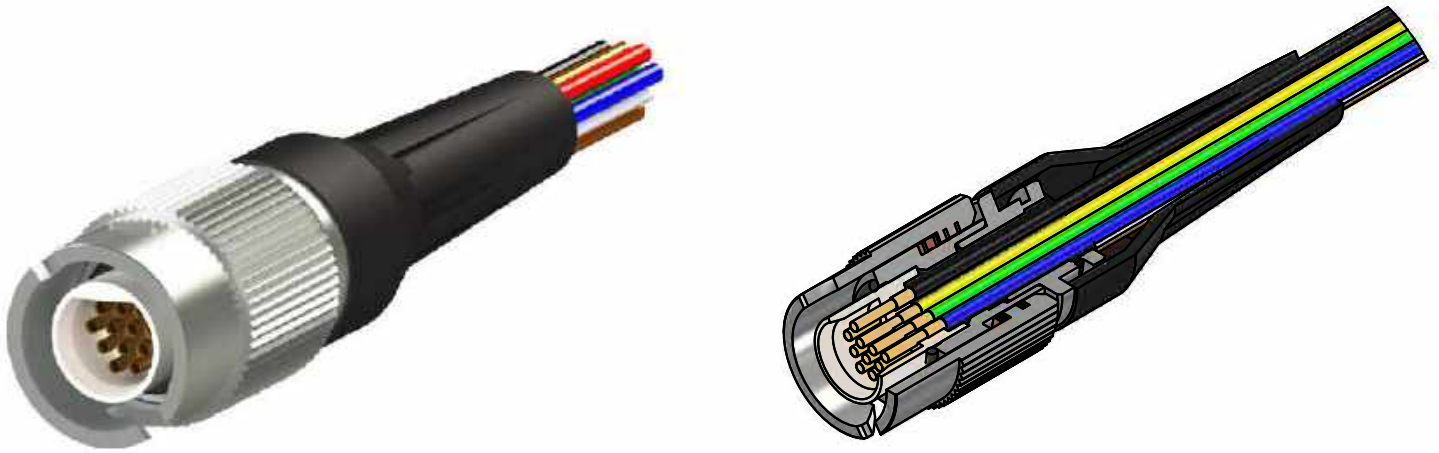
Metal - Pin - Twist-Lock - Wired - Inline - Strain Relief

TMCP-WD-IS-SR



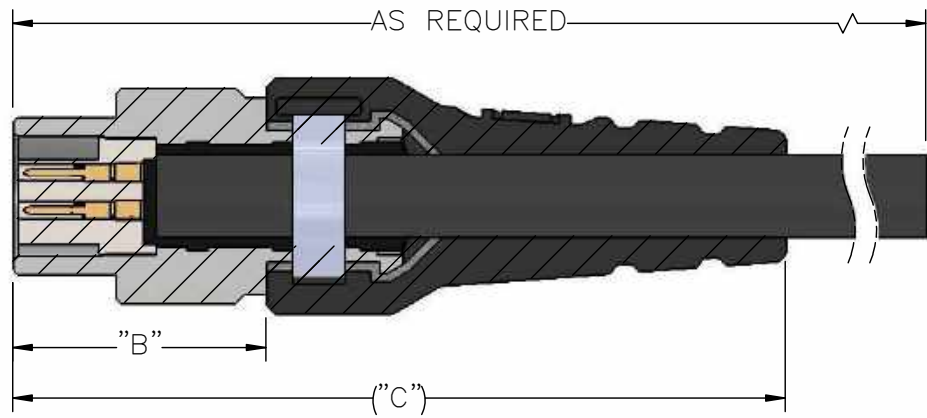
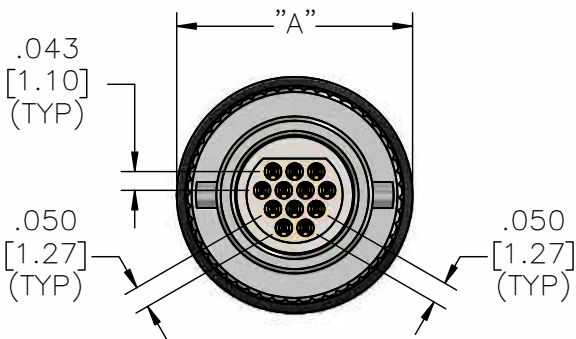
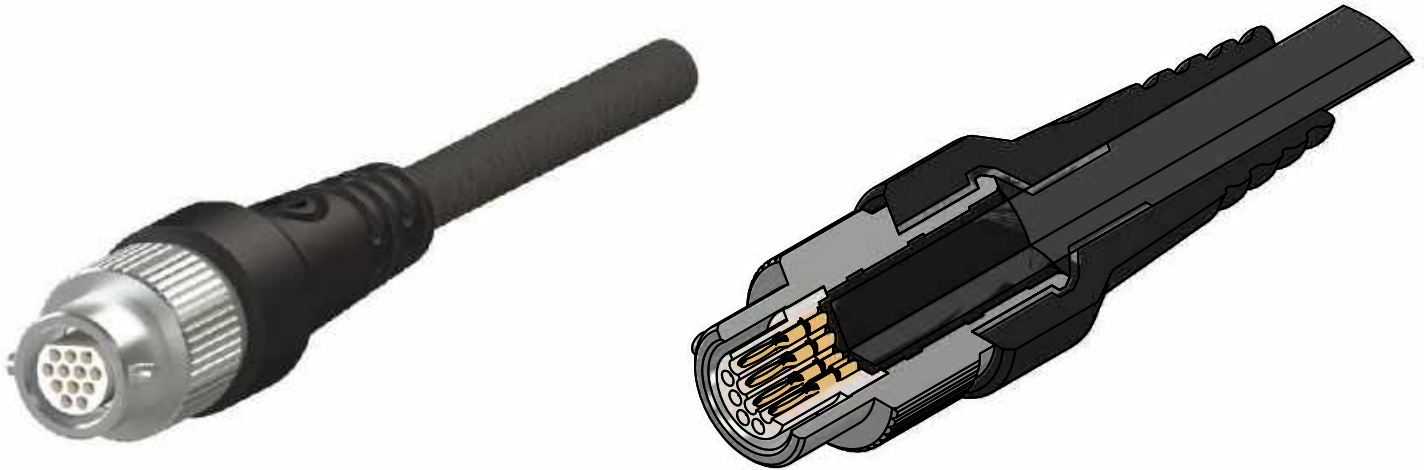
| Part # | Contacts | English (IN) | | | Metric (MM) | | |
|------------|----------|--------------|-------|-------|-------------|-------|-------|
| | | A | B | C | A | B | C |
| A22228-001 | 5 | 0.450 | 0.680 | 1.900 | 11.43 | 17.27 | 48.26 |
| A22230-001 | 12 | 0.500 | | | 12.70 | | |
| A22232-001 | 16 | 0.560 | | | 14.22 | | |
| A22234-001 | 27 | 0.610 | | | 15.49 | | |
| A22523-001 | 39 | 0.650 | 0.585 | 2.200 | 16.51 | 14.86 | 55.88 |

Metal - Socket - Twist-Lock - Wired - Inline - Strain Relief TMCS-WD-IS-SR



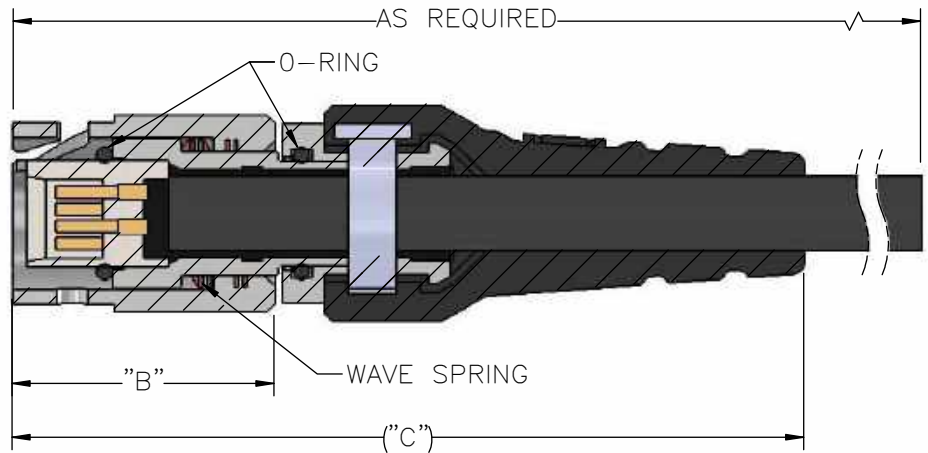
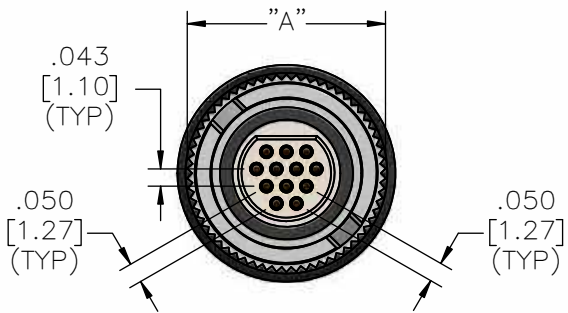
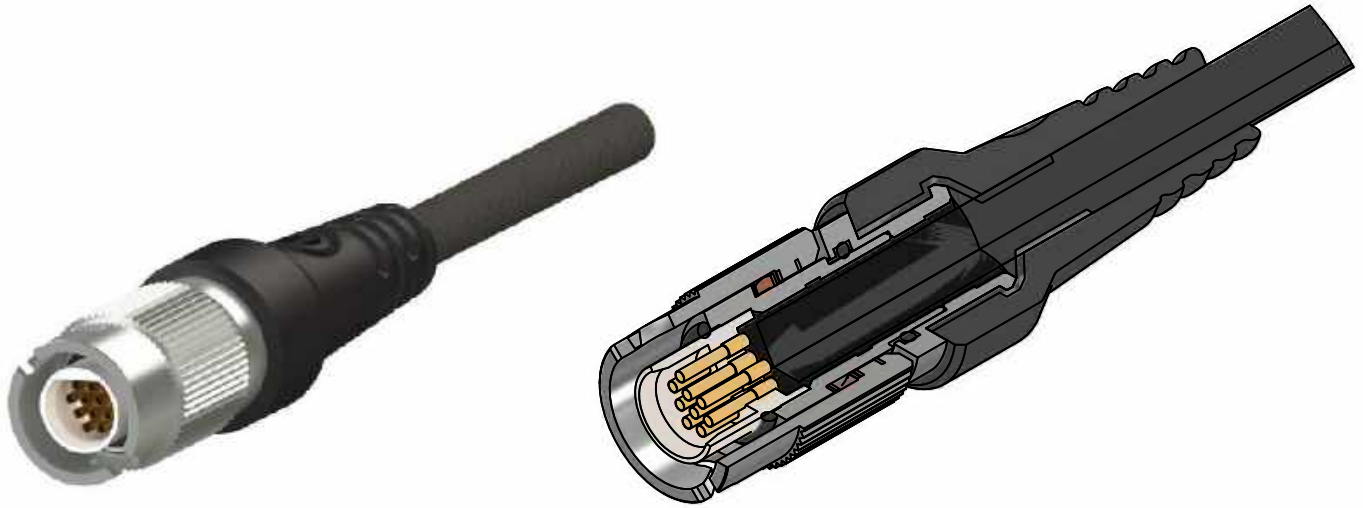
| Part # | Contacts | English (IN) | | | Metric (MM) | | |
|------------|----------|--------------|-------|-------|-------------|-------|-------|
| | | A | B | C | A | B | C |
| A22229-001 | 5 | 0.450 | 0.660 | 1.900 | 11.43 | 16.76 | 48.26 |
| A22231-001 | 12 | 0.500 | | | 12.70 | | |
| A22233-001 | 16 | 0.560 | | | 14.22 | | |
| A22235-001 | 27 | 0.620 | 0.630 | 2.100 | 15.75 | 16.00 | 53.34 |
| A22533-001 | 39 | 0.670 | | | 17.02 | | |

**Metal - Pin - Twist-Lock - Cabled -
Overmold - Inline
TMCP-WC-OM-IS**



| Part # | Contacts | English (IN) | | | Metric (MM) | | |
|------------|----------|---------------------------------|-------|-------|-------------|-------|-------|
| | | A | B | C | A | B | C |
| A22352-001 | 5 | 0.510 | 0.590 | 1.740 | 12.95 | 14.99 | 44.20 |
| A22350-001 | 12 | 0.550 | | 1.790 | 13.97 | | 45.47 |
| A22348-001 | 16 | 0.600 | | 1.890 | 15.24 | | 48.01 |
| A22346-001 | 27 | 0.670 | 0.580 | 1.980 | 17.02 | 14.73 | 50.29 |
| - | 39 | Contact Omnetics for dimensions | | | | | |

**Metal - Socket - Twist-Lock - Cable -
Overmold - Inline
TMCS-WC-OM-IS**



| Part # | Contacts | English (IN) | | | Metric (MM) | | |
|------------|----------|---------------------------------|-------|-------|-------------|-------|-------|
| | | A | B | C | A | B | C |
| A22351-001 | 5 | 0.510 | 0.660 | 1.930 | 12.95 | 16.76 | 49.02 |
| A22349-001 | 12 | 0.550 | | 1.980 | 13.97 | | 50.29 |
| A22347-001 | 16 | 0.600 | | 2.060 | 15.24 | | 52.32 |
| A22345-001 | 27 | 0.670 | 0.630 | 2.150 | 17.02 | 16.00 | 54.61 |
| - | 39 | Contact Omnetics for dimensions | | | | | |