

TWIST-LOCK MICRO CIRCULAR DISCRETE LEADWIRE/CABLE (TYPE WD/WC)

Series	# of Contacts	Termination Type	Shell Material and Finish	Shell Type	Options
TMC Male (P - Pin)	5	WD: Discrete Lead Wire 	Standard N: Nickel Plated Brass 	FP: Front Panel Mount (Male Only) 	C Color Coded 
	12				
	16	WC: Cable 	Non-Standard Options BN: Black Nickel Plated Brass 	RP: Rear Panel Mount (Male Only) 	OR O-Ring 
	27				
	39				
		Wire/Cable Length: 18.0=18.0" Standard Option "XX.X" = Custom Length i.e. 23.4" 26 AWG Max	P: Passivated Stainless Steel 	PP: Protruding Panel Mount (Male Only) 	IP68 IP68
			OX: Black Oxide Finished Steel 		
					

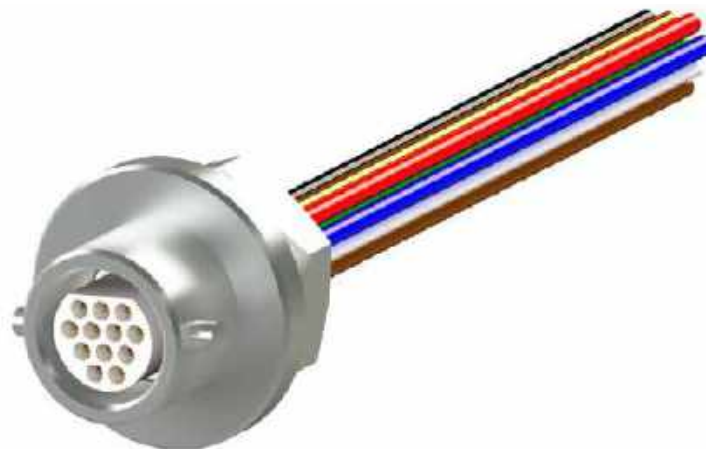


EXAMPLE:
TMCP-12-WC-10.0-N-RP-C-OR-ROHS

MICRO 360[®] Metal

Micro Circular Twist-Lock Panel Mount

Optional IP68 Rating



Electrical-Mechanical Specifications

- Performance: _____ Product family tested to and passed or exceeded the performance specifications of Table VIII of MIL-DTL-83513
- Contact Resistance: _____ 26 Milliohm Max (65mV Drop Max) @ 2.5 Amps per MIL-DTL-83513
- Current Rating: _____ 3 Amps per MIL-DTL-83513
- Operating Temperature: _____ -55°C to 125°C (200°C with High Temp Epoxy)
IP68 overmold -55°C to 85°C
- Durability: _____ >2000 mating cycles min
- Insulation Resistance: _____ 5000 megohms @ 500 VDC
- Shock: _____ 50 g's with no discontinuities > 1 microsecond
- Vibration: _____ 20 g's with no discontinuities > 1 microsecond
- Mating/Unmating Force: _____ 3 oz (85 g) typical per contact
- Thermal Vacuum Outgassing (Space Class): _____ NASA SP-R-0022

Material Specifications

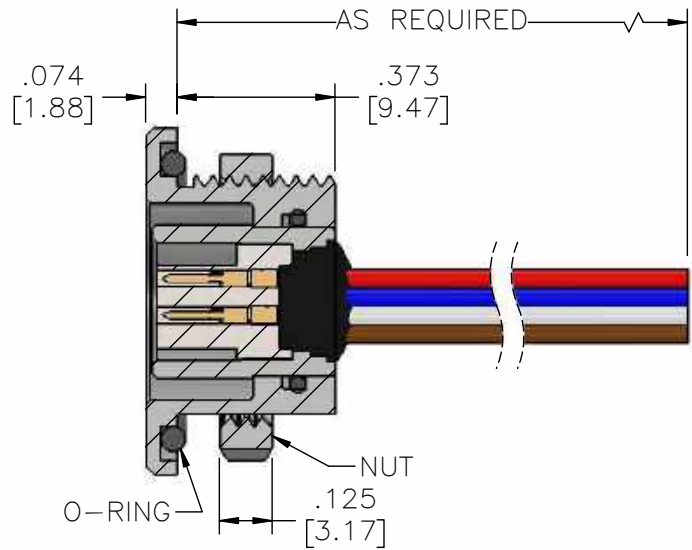
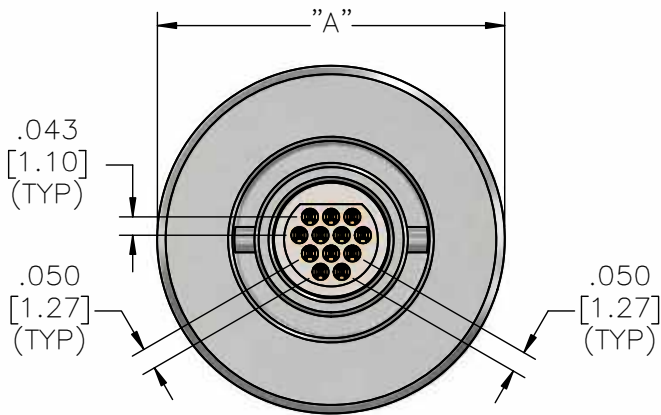
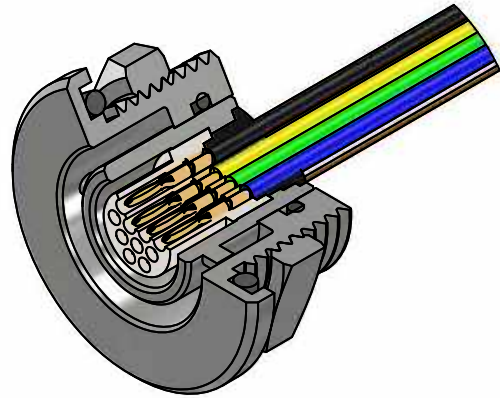
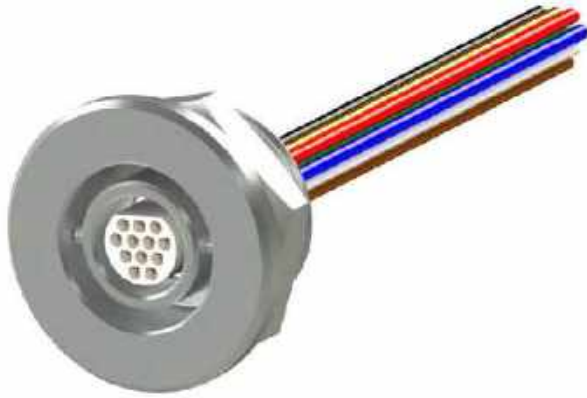
- Contact: _____ Copper Alloy Per MIL-DTL-83513
- Contact Finish: _____ Gold per ASTM B488, Type II, Class 1.27, Code C
Over Nickel Underplate
- Insulator: _____ Thermoplastic per MIL-M-24519
- Overmold: _____ Black Thermoplastic Polyurethane
- O-Ring: _____ BUNA-N
- Cable (Shielded): _____ 26 AWG, (7-34) Tinned Copper, PFA color coded, Black
Polyurethane Jacket
- Wire: _____ 26 AWG (7-34) PTFE, color coded

Shell Options

- Brass Alloy 360 1/2 Hard: _____ Electroless Nickel per SAE-AMS-2404
Black Nickel per MIL-P-18317
- Stainless Steel, 300 Series: _____ Passivated per SAE-AMS-2700
Black Oxide Finish per MIL-DTL-13924, Class 4*, Passivated
per SAE-AMS-2700

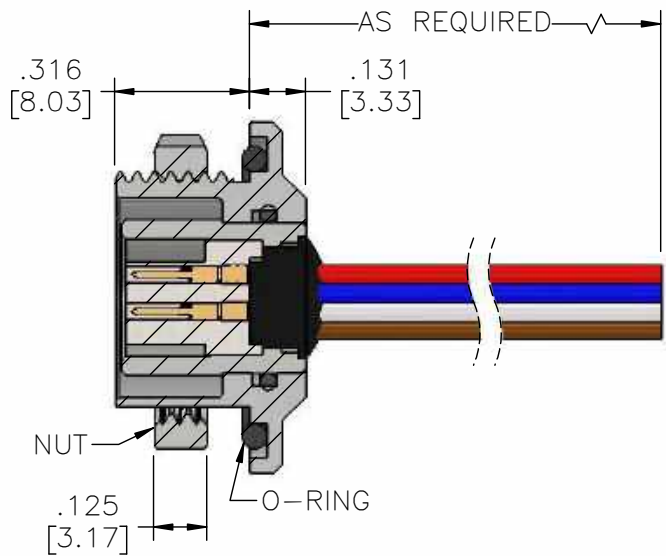
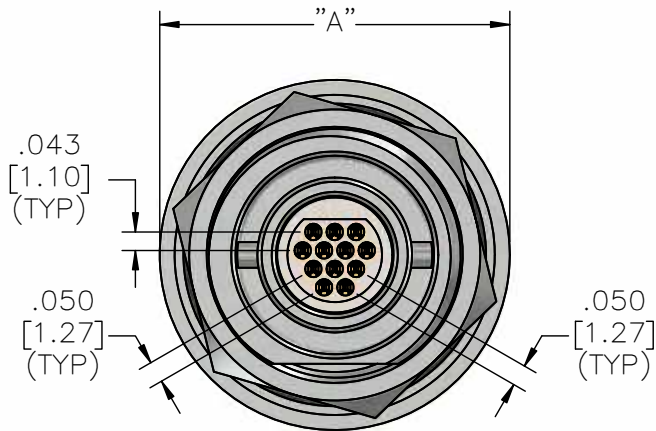
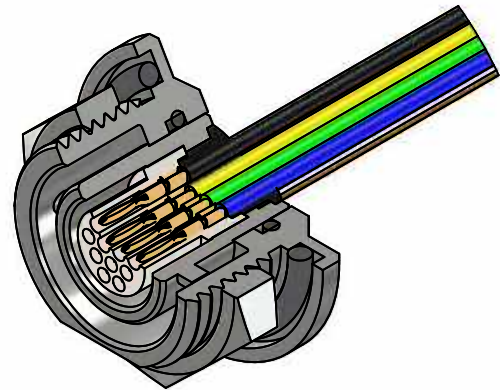
* less resistance to salt spray test.

Metal - Pin - Twist-Lock - Wired - Front Panel - IP68 TMCP-WD-FP-IP68



Part #	Contacts	English	Metric
		(IN)	(MM)
A22359-001	5	A	A
A22358-001	12	0.750	19.05
A22357-001	16	0.820	20.83
A22356-001	27	0.875	22.23
A22356-001	27	0.990	25.15
A22520-001	39	1.100	27.94

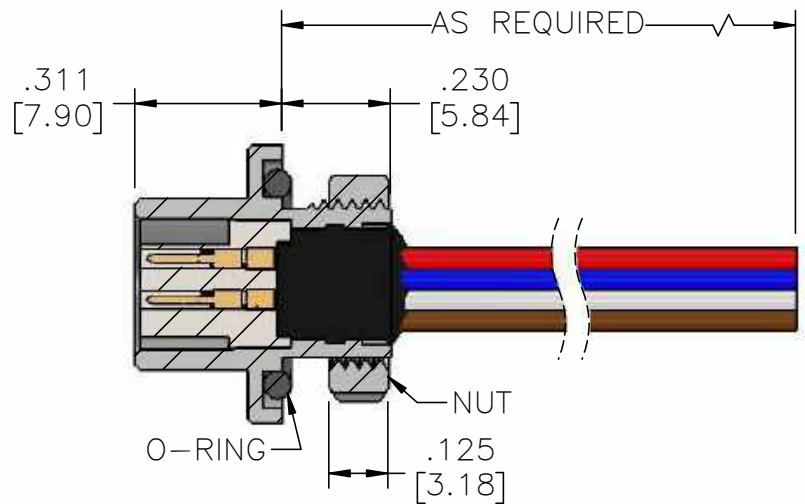
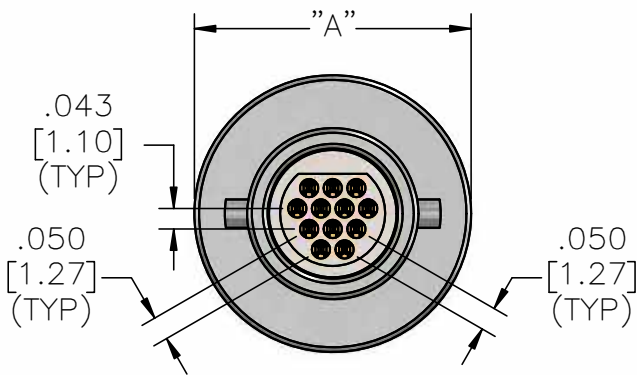
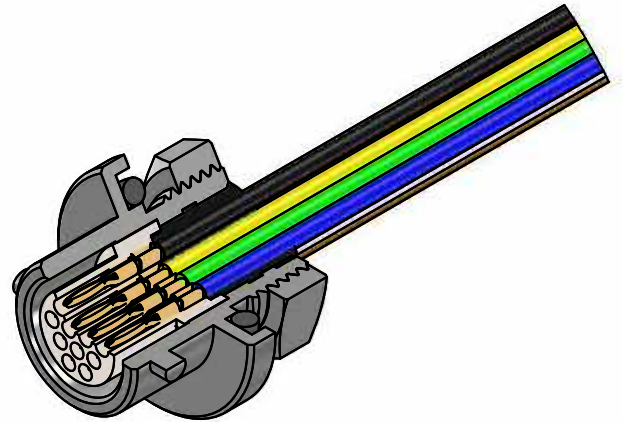
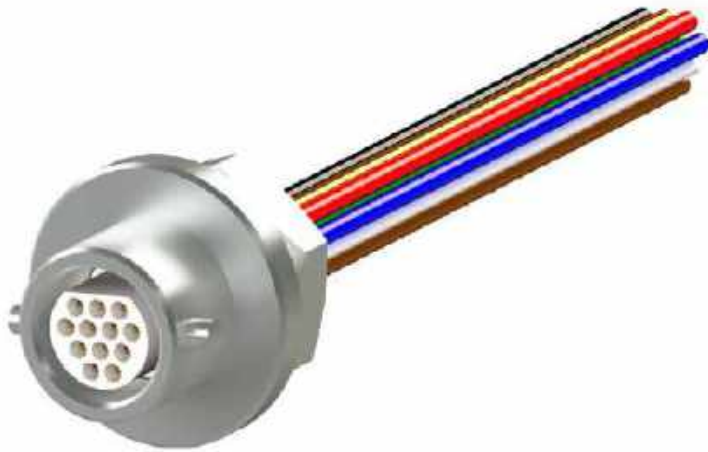
Metal - Pin - Twist-Lock - Cable - Rear Panel - IP68
TMCP-WD-RP-IP68



Part #	Contacts	English	Metric
		(IN)	(MM)
A22363-001	5	A	A
A22362-001	12	0.750	19.05
A22361-001	16	0.820	20.83
A22360-001	27	0.875	22.23
A22360-001	27	0.990	25.15
A22521-001	39	1.100	27.94

Metal - Pin - Twist-Lock - Wired - Protruding Panel - IP68

TMCP-WD-PP-IP68



Part #	Contacts	English	Metric
		(IN)	(MM)
A22367-001	5	A	A
A22366-001	12	0.541	13.74
A22365-001	16	0.586	14.88
A22364-001	27	0.662	16.81
-	39	Contact Omnetics for dimensions	