









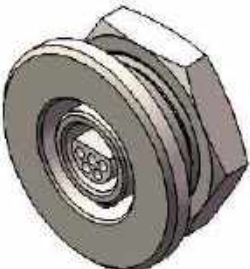


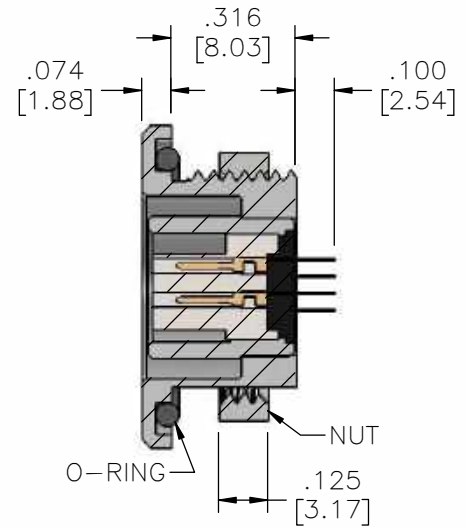
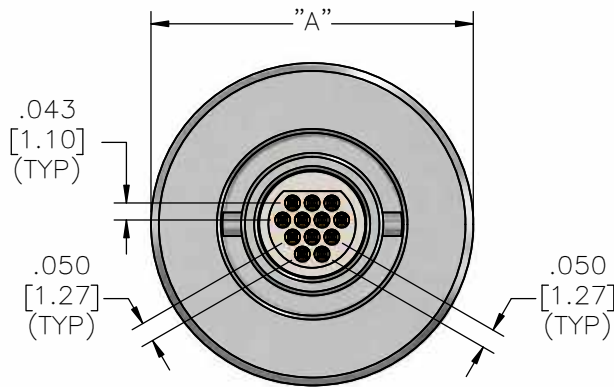
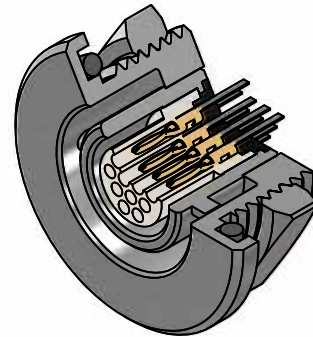
TWIST-LOCK MICRO CIRCULAR STRAIGHT THRU-HOLE (TYPE DD)

Series	# of Contacts	Termination Type	Shell Material and Finish	Shell Type	Options
TMC Male (P - Pin) 	5	DD: Straight Thru-Hole  	Standard	FP: Front Panel Mount 	OR O-Ring 
	12		N: Nickel Plated Brass 		
	16		Non-Standard Options	RP: Rear Panel Mount 	IP68 IP68
	27		BN: Black Nickel Plated Brass 		
39	P: Passivated Stainless Steel 				
			OX: Black Oxide Finished Steel 		
					

EXAMPLE:
TMCP-05-DD-FP-N-OR

Metal - Pin - Twist-Lock - Straight Tail - Front Panel

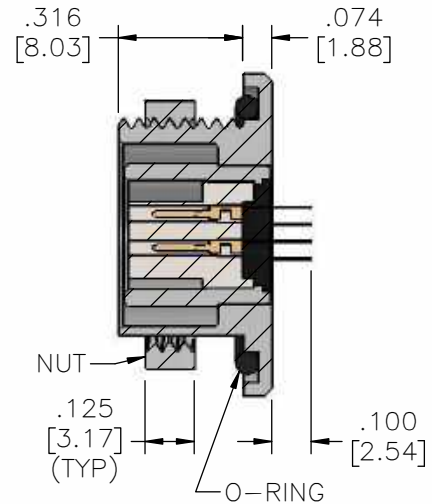
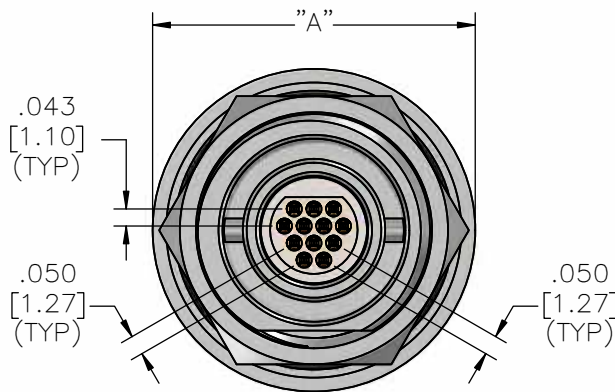
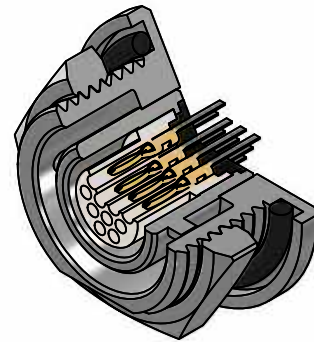
TMCP-DD-FP



	English (IN)	Metric (MM)
Contacts	A	A
5	0.750	19.05
12	0.820	20.83
16	0.875	22.23
27	0.990	25.15
39	Contact Omnetics for dimensions	

Metal - Pin - Twist-Lock - Straight Tail - Rear Panel

TMCP-DD-RP



	English (IN)	Metric (MM)
Contacts	A	A
5	0.750	19.05
12	0.820	20.83
16	0.875	22.23
27	0.990	25.15
39	Contact Omnetics for dimensions	