
















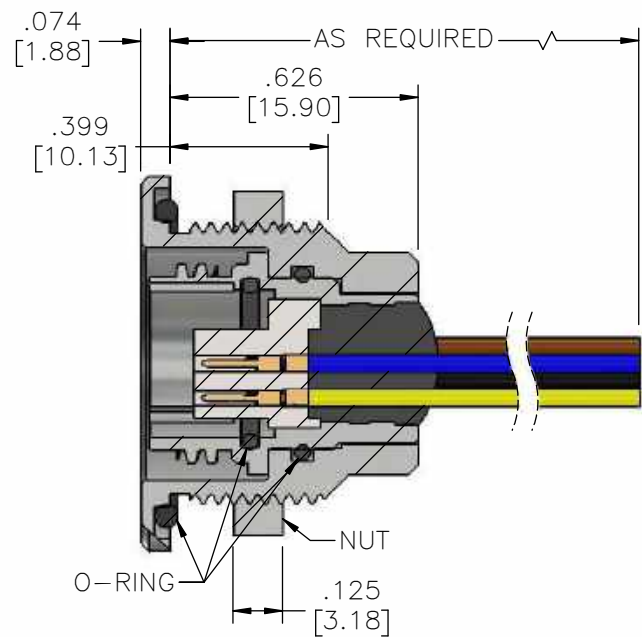
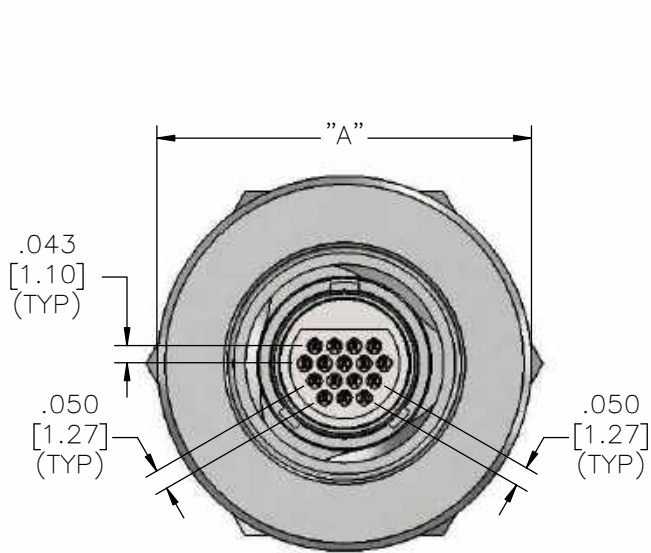
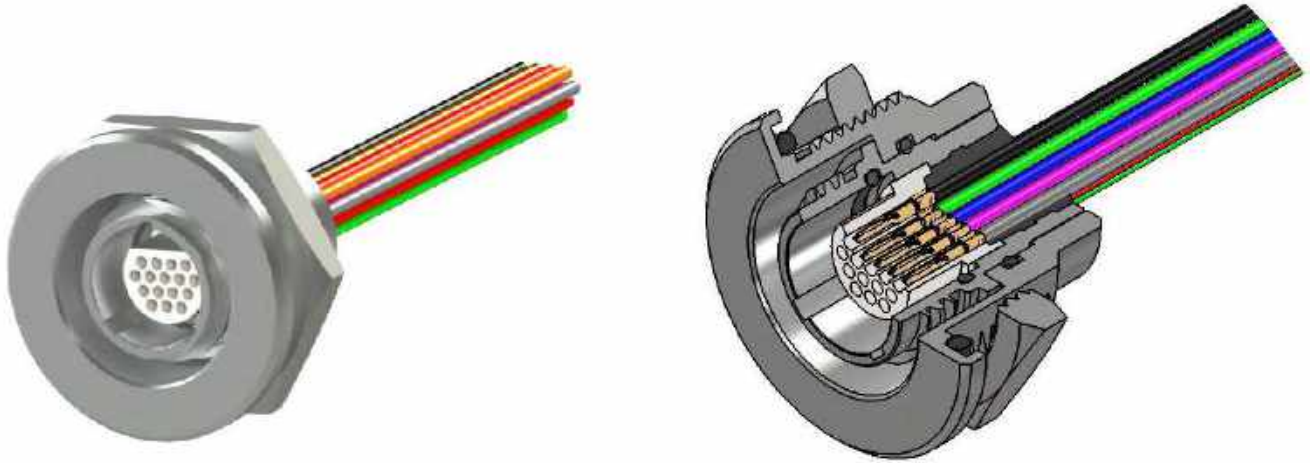


RATCHETING MICRO CIRCULAR PANEL MOUNT

Series	# of Contacts	Termination Type	Shell Material and Finish	Shell Type	Options
RMC	5	WD: Discrete Lead Wire 	Standard N: Nickel Plated Aluminum 	FP: Front Panel Mount (Male Only) 	C Color Coded 
	12				
Male (P - Pin)	16	WC: Cable 	Non-Standard Options BN: Black Nickel Plated Aluminum 	RP: Rear Panel Mount (Male Only) 	OR O-Ring 
	27				
	39				
Female (S - Socket)		Wire/Cable Length: 18.0=18.0" Standard Option "XX.X" = Custom Length i.e. 23.4" 26 AWG Max	P: Passivated Stainless Steel 	PP: Protruding Panel Mount (Male Only) 	IP68 
		OX: Black Oxide Finished Steel 			
					
		EXAMPLE: RMCP-16-WD-10.0-C-FP-N-OR			

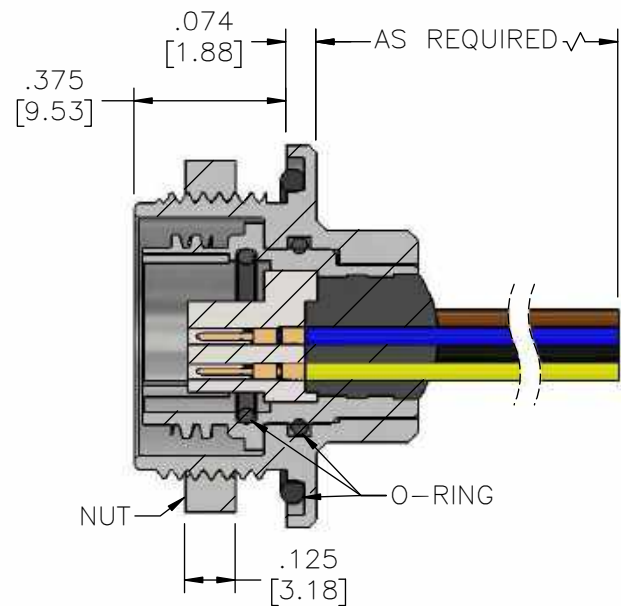
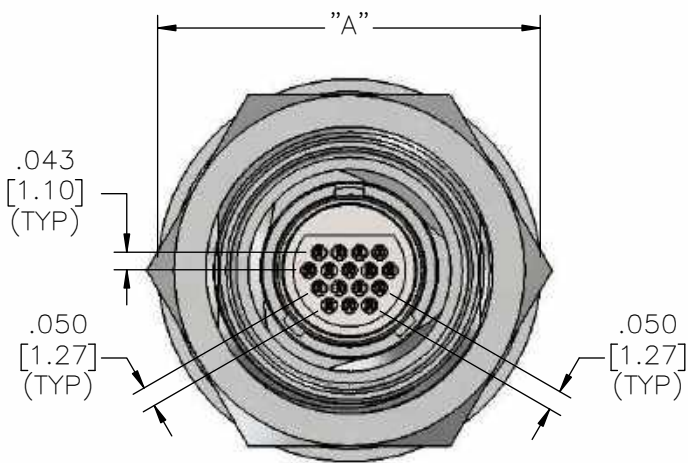
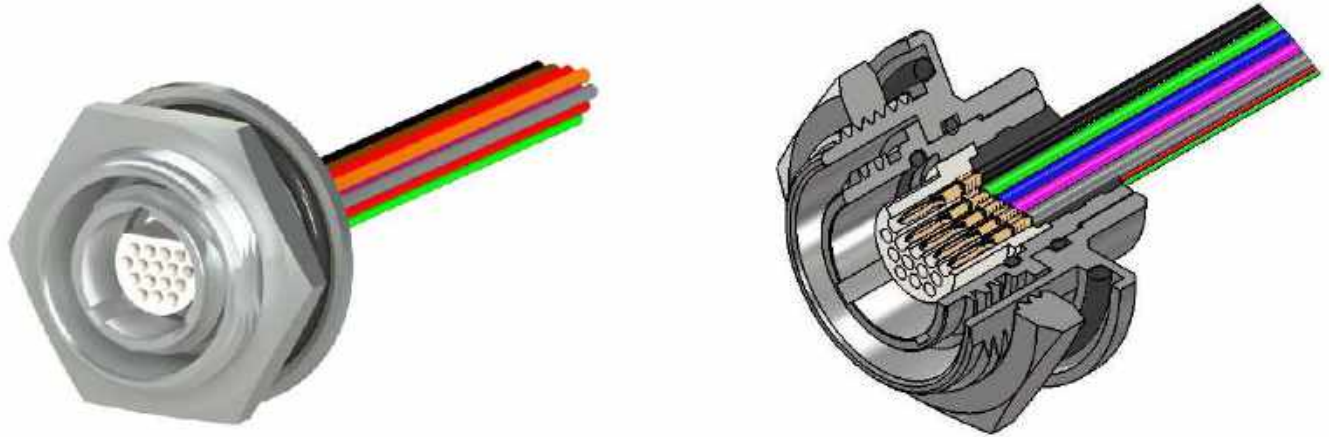
Metal - Pin - Ratcheting - Front Panel RMCP-FP



Part #	Contacts	English	Metric
		(IN)	(MM)
A22495-001	5	A	A
A22502-001	12	0.820	20.83
A22509-001	16	0.900	22.86
A22516-001	27	0.950	24.13
A22516-001	27	1.020	25.91
A22553-001	39	1.130	28.70

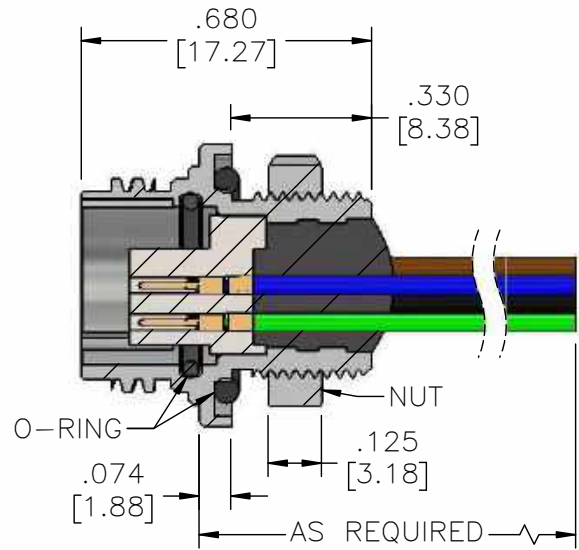
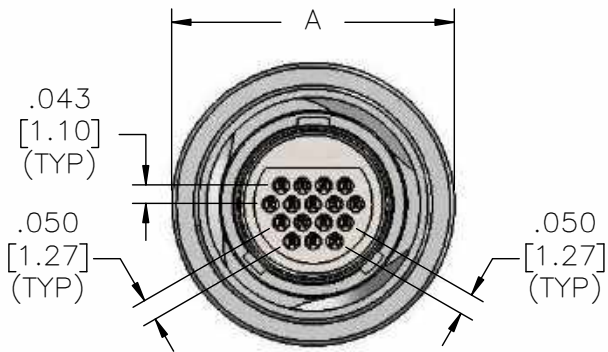
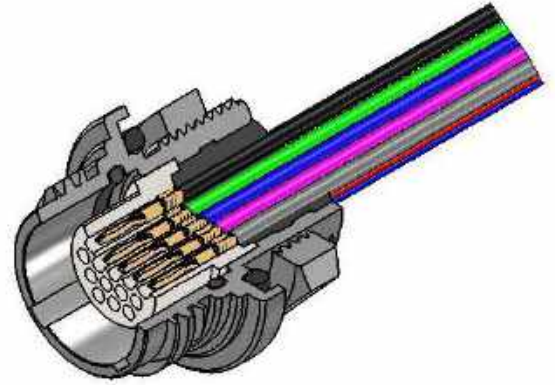
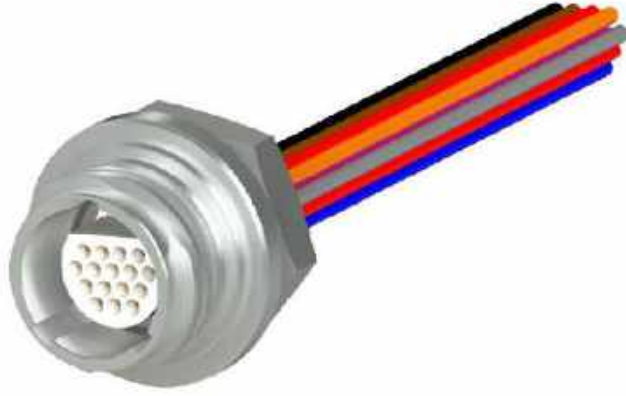
Metal - Pin - Ratcheting - Rear Panel

RMCP-RP



Part #	Contacts	English	Metric
		(IN)	(MM)
A22496-001	5	A	A
A22503-001	12	0.820	20.83
A22510-001	16	0.900	22.86
A22517-001	27	0.950	24.13
A22554-001	39	1.020	25.91
		1.130	28.70

Metal - Pin - Ratcheting - Protruding Panel RMCP-PP



English (IN) **Metric (MM)**

Part #	Contacts	A	A
A22494-001	5	0.528	13.41
A22501-001	12	0.578	14.68
A22508-001	16	0.662	16.81
A22515-001	27	0.732	18.59
A22555-001	39	0.810	20.57

MICRO 360[®] Metal

Micro Circular Ratcheting Panel Mount *Optional IP68 Rating*



Electrical-Mechanical Specifications

- Operating Temperature: _____ -55°C to 125°C
- Dielectric Withstand Voltage: _____ 600 VAC RMS @sea level
- Contact Resistance: _____ 26 milliohms(65 mV) Max @2.5 Amps
- Current Rating: _____ 3 Amps per contact
- Durability: _____ 500 Mating Cycles min
- Insulation Resistance: _____ 5000 megohms @ 500 VDC
- Shock: _____ 50 g's with no discontinuities > 1 microsecond
- Vibration: _____ 20 g's with no discontinuities > 1 microsecond
- Thermal Vacuum Outgassing (Space Class): _____ 1.0% max TML, 0.03% max CVCM
- Mating/Unmating Force: _____ 3 oz (85 g) per contact

Material Specifications

- Contact: _____ Copper Alloy per MIL-DTL-83513
- Contact Finish: _____ Gold per ASTM B488, Type II, Class 1.27, Code C
Over Nickel Underplate
- Insulator: _____ Thermoplastic per MIL-M-24519
- Wire: _____ 26 AWG (7-34) PTFE, color coded

Shell Options

- Brass Alloy 360 1/2 Hard: _____ Electroless Nickel per SAE-AMS-2404
Black Nickel per MIL-P-18317
- Stainless Steel, 300 Series: _____ Passivated per SAE-AMS-2700
Black Oxide Finish per MIL-DTL-13924, Class 4*,
Passivated per SAE-AMS-2700

* less resistance to salt spray test.